

## Case Hardened Bushes - Precision Ground Hardened Steel Bushings

Terms and Conditions of Supply .....	Page 2	Bushes to suit 90mm Ø Pins .....	Page 34
Drawings & "Dial-a-Bush" Key to Part Numbers .....	3, 4	Bushes to suit 95mm to 125 Ø Pins .....	35 - 40
Bushes to suit 0.75" to 2" Diameter Pins .....	5 - 18	Bushes to suit 5" Ø to 140mm Ø Pins .....	41
Bushes to suit 55mm to 70mm Diameter Pins .....	19 - 27	Bushes to suit 150mm to 8" Ø Pins .....	42
Bushes to suit 71mm to 3" Diameter Pins .....	28 - 29	Dust Seals Pin Wipers .....	43 - 45
Bushes to suit 80mm to 3.5" Diameter Pins .....	30 - 33	Bronze Bushes - Spherical Bearings .....	46

## Steel Round Bar, Induction Hardened - K1045 - Cut to length ..... 47 - 48

## Super Pin Steel - 4140 Precision Ground - Induction Hardened .....49

## Induction Case Hardened Steel Pins - Bucket Pins ..... 50

Schematic Drawings & Key to KSet Part Numbers .....	51
3/4" Diameter to 60 mm Diameter - Hardened Pins - .....	52 - 57
2 1/2" Diameter to 95 mm Diameter - Hardened Pins - .....	58 - 63
100 mm Diameter, 4", 4 1/4", 4 1/2", 115mm, to 120 mm Diameter - Hardened Pins - .....	64 - 66
125mm, 125 mm, 5", 130 mm, 135mm, 140 mm to 160 mm Diameter - Hardened Pins - .....	67
Shims for Excavator - Pin Tags - End Plates - Shim Kits .....	68 - 74

## Aftermarket Pins and Bushes - To Suit:

<b>Komatsu Excavators PC120 - PC130 - PC150 - PC128US - PC138US</b> Pins Bushes Shims Dust Seals .....	75
<b>Komatsu Excavators PC200 - PC220 - PC228U - PC220 - PC250</b> Pins Bushes Shims Dust Seals .....	76 - 77
<b>Komatsu Excavators PC300 - PC350 - PC400 - PC450</b> Pins Bushes Shims Dust Seals .....	78 - 79
<b>Komatsu Excavators PC600 - PC800 - PC1250</b> Pins Bushes Shims Dust Seals .....	80
<b>Komatsu Wheel Loaders WA250PZ - WA320 - WA350 - WA380 - WA420 - WA470</b> Pins Bushes Shims Seals .....	81
<b>Komatsu Wheel Loaders WA480 - WA500 - WA500-6 - WA600-6</b> Pins Bushes Shims Dust Seals .....	82 - 86
<b>Komatsu Mini Excavators PC45 - PC60 - PC75UU</b> Pins Bushes Shims Dust Seals .....	87
<b>Komatsu Part Number to Aftermarket KSet Part Number</b> .....	88 - 90
<b>Caterpillar Excavator Aftermarket Parts</b>	
<b>Caterpillar Wheel Loaders 950, 966, 972, 980</b> - Cat Compact Loader CL110 - LHD CL110 Pins .....	91
<b>Caterpillar Pins Bushes Shims D10, D11Ripper Blade Push Arm</b> - Caterpillar Bearings .....	92 - 95
Case Part Numbers Referenced to KSet Part Numbers .....	96
Case 580SK Back Hoe Loaders - Case SLE Back Hoe Loaders .....	97 - 98
Eimco 130 LHD - Eimco ED7 LHD - Eimco ED10 LHD - Eimco 912 LHD - Eimco 913 LHD .....	99 - 100
<b>Hitachi Excavators ZX200, EX450, ZX450, EX520, ZX520</b> .....	101
John Deere Pins Bushes Shims - John Deere Scraper Wear Rails - John Deere Grader Parts .....	102
IHI 35J, Kato, Kubota, Bucket ends, Kobelco SK045 - SK060, Yanmar VIO 50 .....	103 - 104
<b>Kobelco Excavators - SK135SR-3, SK220, SK250, SK260, SK330</b> .....	105
Kubota Pins Bushes Shims Excavators - KX161-3 - Kubota KX045 .....	106
Sandvik Tamrock Drills TB40, TB60 Atlas Copco Drills H12, H322 Simba .....	107
Volvo EC330 - Volvo EC460 - Volvo EC480D Pins Bushes Shims Dust Seals .....	108

## Tools and Accessories

Alpha High Speed Drills & Taps - Hard Part Turning Tips .....	109 - 110
Sterling - Tools & Measuring - Sterling - Knives & Cutters .....	111 - 112

# SALES - Catalogue Items - Phone 02 4928 5700

THE LARGEST RANGE OF HARDENED & GROUND STEEL BUSHINGS IN AUSTRALIA - EX STOCK  
INDUCTION-HARDENED PINS AND PIN STEEL  
"PROMPT DISPATCH OF GOODS EX STOCK IN EXCHANGE FOR PROMPT PAYMENT"

## TERMS AND CONDITIONS OF SALE:

NET PAYMENT WITH ORDER. GOODS WILL NOT BE DISPATCHED BEFORE PAYMENT IS RECEIVED

PAYMENTS: MasterCard and Visa Cards accepted.

Cash: Correct amount only - NO Cheques

Electronic Transfers to: KSet Engineering Pty Ltd BSB: 062 813 Account No.: 1038 8155

The Purchaser agrees that no warranty is implied or given,  
and to hold KSet Engineering unaccountable for any loss or damage occurring due to faulty parts or materials.  
TITLE does not pass to purchaser until Payment has been received in FULL.

**Wholesale Catalogue Prices apply only if Product Order is \$180 or more**

excluding GST, freight and packaging

**Small Order Minimum is \$150 and Catalogue prices do not apply**

COUNTER SALES: By APPOINTMENT ONLY Between 8:00am -12.00am, 12:30 - 4:00pm

KSet Engineering Pty Ltd is a Manufacturing Wholesaler, Not a Retail Shop

Restocking Fee: 16% or \$55 Minimum No credit is given for goods returned after 14 days from invoice  
or without KSet Management consent, nor for goods that have been fitted.

Re-Wrapping charges apply if not in original wrapped condition.

7 DAY ACCOUNTS May be extended to customers who have traded satisfactorily,  
with a Credit Limit at our discretion. Non-Supply is also at our discretion should trading exceed 21 days

DISTRIBUTOR ACCOUNTS - 30 Days EOM:

Trading must exceed \$10,000 p.a. and minimum of one invoice per month. Credit limit at our discretion  
Trading automatically suspended if account is outstanding 32 days from end of month following invoic

## CUSTOM ENGINEERING - Phone 02 4928 5700

Custom Made Orders: Minimum \$240 plus GST

INDUCTION HARDENED PINS - From SAME DAY service where hardened bar stock is used  
SPECIAL HARDENED BUSHINGS - From SAME DAY service where we are able to modify stock items  
to around 12 working days for new items

TERMS AND CONDITIONS OF SALE - ALL CUSTOMERS

We submit a written quote in answer to your enquiry. We require 50% deposit received by bank  
Written order before commencement, and 50% balance before dispatch

Orders under \$2,000: Full payment with order

## FREIGHT

All goods are carried by KSet Engineering preferred major freight companies at competitive prices  
Freight, Plus Packing, Handling, Insurance are included on invoice as two separate items.

F Codes for Freight

Plus

P Codes for Packing, Handling, Insurance:

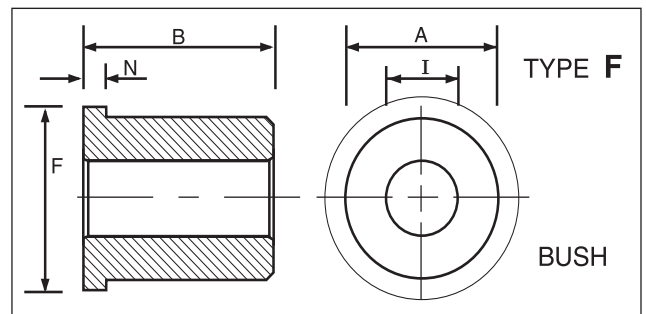
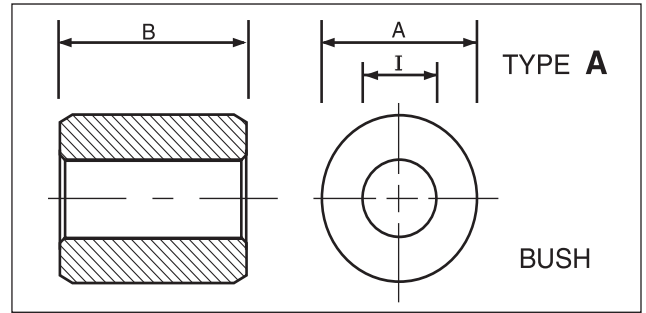
FNT	Northern Territory / Remote Surcharge	\$30	PC1	Heavy Duty Carton	\$16
FREM	Remote Surcharge by Carrier	\$30	PC2	2 HD Cartons	\$22
FTNT Road	Road Freight via TNT Road Express	POA	PSK	Small skid	\$24
			PMS	Medium skid	\$28

ONFORWARDING:

FM Manual Consignment Charge \$12 Plus The same Packing, Handling item is applied  
When goods are sent "freight on", they are NOT INSURED, and purchaser assumes ALL RISK.

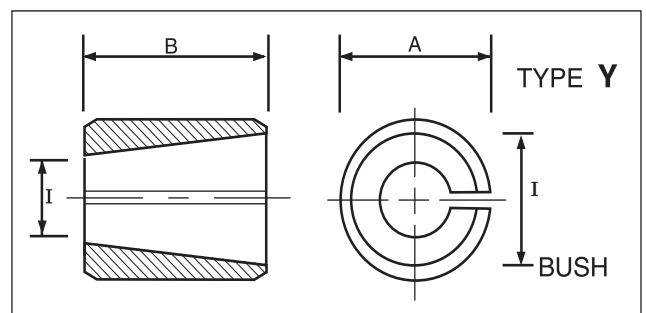
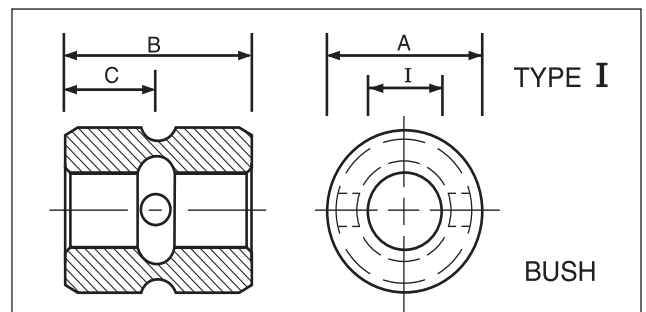
# Configuration Index - Bushes

Type	Description
A	= Plain Bush
E	= Central Ext. Groove With Holes
F	= Flanged Bush
I	= Central Ext. & Int. Groove, Holes
J	= Central Ext. & "Figure 8" Int. Groove, Holes
N	= Spacer, Length Critical
R	= Bush, Recessed for Seal
U	= Internal Centre Groove, No Holes
W	= Thrust Washer
X	= "Figure 8" Int. Groove, No Holes
Y	= Int. Taper & Split Expanding Bush



## Dimension Index

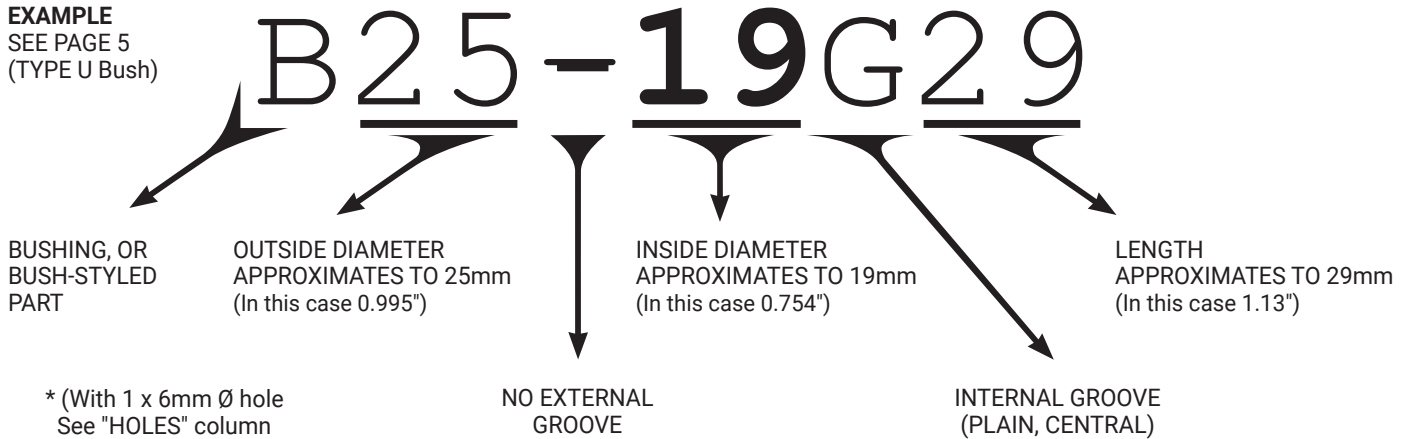
A	= Major Diameter
B	= Length
C	= End to Hole / Groove
D	= Diameter of Hole
E	= Length Between Holes / Grooves
F	= Flange / Head Diameter
G	= End to Grease Exit
H	= Diameter of End Hole / Recess
I	= Inside Diameter
J	= Diameter of Groove
K	= Length of Point / Taper
L	= End to Under Head / Flange
M	= Width of Groove
N	= Width of Flange / Head
S	= Length of Chamfer
W	= Length of Step
Y	= Minor Diameter



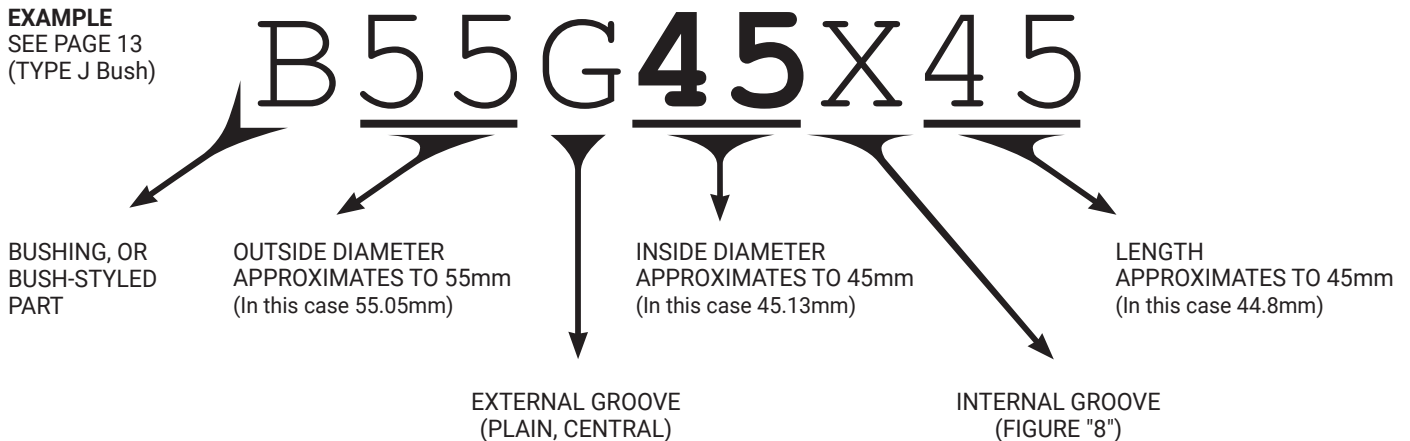
# KEY to KSet Part Numbers - BUSHES

KSet Bush Part Numbers are based on an Identification System using Metric Size Approximation  
Bushes are Designated O.D by I.D. by Length

EXAMPLE  
SEE PAGE 5  
(TYPE U Bush)



EXAMPLE  
SEE PAGE 13  
(TYPE J Bush)



EXAMPLE, ON PAGE 14: **B64F51-32** "F" DENOTES A FLANGE AT ONE END

**TOLERANCES:** **OUTSIDE DIAMETERS** ARE GENERALLY PRECISION GROUND TO  $+ / - 0.01\text{mm}$  OF DIAMETER SHOWN IN "OUTSIDE" COLUMN.  
**INSIDE DIAMETERS** ARE GENERALLY PRECISION GROUND TO  $+ / - 0.013\text{mm}$  OF DIAMETER SHOWN IN "INSIDE" COLUMN.  
IN CASE OF VARIATION, PLEASE DISCUSS ACHIEVED DIAMETERS AT TIME OF ORDERING

**HARDNESS:** AVERAGE CASE HARDNESS IS **60 ROCKWELL C.** AVERAGE DEPTH: **0.9mm**  
CORE HARDNESS 30 to 40 ROCKWELL C.

**MATERIAL:** C 0.19% Si 0.30% Mn 1.5% V 0.12% S 0.03% P 0.03% TYPICAL  
TENSILE STRENGTH 635 MPa YIELD STRENGTH 420MPa ELONGATION 18% TYPICAL

# Case Hardened Bushes - Precision Ground

## Bushes to suit 3/4" to 7/8" Diameter Shaft

KSet Part No.	Price EX GST	Outside	Inside Ø	Length		Manufacture Notes	Locations
B26-19-20	\$ 35	1.002"	0.7545"	0.79"	.04 kg	Goldfields	Plain Bush
B26-19-24	\$ 32	1.002"	0.755"	0.94"	.06 kg	KSet Design 2006	Plain Bush
B25-19G29	\$ 27	0.995"	0.754"	1.13z"	for	John Deere 410	T42803
B26-19-32	\$ 32	1.002"	0.755"	1.25"	.06 kg	KSet Design 2013	Plain Bush
B26G19G38	\$ 44	1.002"	0.755"	1.50"	.07 kg	KSet Design 2019	Greasable
B26-19-48	\$ 46	1.001"	0.754"	1.88"	.08 kg	John Deere Bushing	U12271
B29-19-51	\$ 53	1.126"	0.756"	2.00"		KSet Design 2012	Plain Bush
1B30-20-36	\$ 45	30.06mm	20.03mm	36.0mm	.12 kg	KSet Design 2013	Plain Bush
B29-22-20	\$ 38	1.127"	0.880"	0.79"	.04 kg	KSet Design 2011	Plain Bush
B29-22-24	\$ 40	1.127"	0.880"	0.94"	.05 kg	KSet Design 2007	Plain Bush
B33-23-25	\$ 38	1.269"	0.879"	25.1mm	.09 kg	Case 580K-Steering	D127507

## Bushes to Suit 25mm Diameter Shaft:

KSet Part No.	Price EX GST	Outside	Inside Ø	Length		Manufacture Notes	Locations
B30-25-20	\$ 38	30.05mm	25.15mm	20.0mm	.04 kg	Plain Bush for Sandvik	08554608
B30-25-30	\$ 43	30.05mm	25.15mm	30.0mm	.06 kg	Plain Bush for Sandvik	08554588
B33-25G30	\$ 48	33.08mm	25.10mm	30.0mm	.08 kg	68721-66630	Internal Groove
B33-25G35	\$ 50	33.08mm	25.10mm	35.0mm	.08 kg	Suit Yanmar	Internal Groove
B33G25G35	\$ 40	33.08mm	25.10mm	35.0mm	.08 kg	KSet Design 2020	Greasable
B35-25-22	\$ 44	35.02mm	25.11mm	21.8mm		KSet Design 2008	Plain Bush
B35-25-27	\$ 38	35.03mm	25.19mm	27.0mm		IHI Mini Excavator Bush	404 324 502
B35-25-30	\$ 42	35.03mm	25.12mm	30.0mm		KSet Design 2008	Plain Bush
B35-25X30	\$ 47	35.11mm	25.14mm	29.8mm	.08 kg	00024-00024	Open/Closed Fig 8
B35G25G31	\$ 44	35.08mm	25.15mm	31.0mm	for	John Deere Bushing	R81854
B35-25-33	\$ 34	35.02mm	25.19mm	33.0mm		IHI Mini Excavator Bush	404 324 501
B35-25G34	\$ 33	35.10mm	25.15mm	33.8mm		00021-00026	Internal Groove
B35-25X35	\$ 44	35.09mm	25.14mm	34.8mm	.12 kg	00024-00064	Open/Closed Fig 8
B35-25-40	\$ 44	35.03mm	25.12mm	40.0mm		KSet Design 2016	Plain Bush
B35G25G40	\$ 58	35.08mm	25.14mm	40.0mm	.15 kg	KSet Design 2010	Greasable
B35G25G45	\$ 48	35.08mm	25.14mm	45.0mm		John Deere Bushing	R72700
B36-25-33	\$ 44	36.05mm	25.12mm	33.0mm		KSet Design 2007	Plain Bush
B38G25G39	\$ 54	38.03mm	25.18mm	39.0mm		IHI	For 075 233 321

### KSet Aftermarket Pins and Bushes

have a reliable reputation sold to specifications discussed at point of sale or as shown in this catalogue. It is the

**Purchaser's Responsibility** to measure the parts before fitting, to ensure correct Interference and Clearance Fit

KSet Engineering accepts no responsibility for pin to bush clearance after fitting  
**No Warranty** is given or implied as to **Wear Life** or Breakability of Shaft, Pins or Bushes

### Engineered Bush Applications

Bucket, Arm and Cylinder Joints of excavators and wheel loaders  
Heavy Load Joints. Boom Foot  
Boom Cylinder Foot  
Boom Cylinder Ram Eye  
Excavator Pivot Points  
Replacement of Bronze Bushes  
Replace Fibre Bushes  
Lineboring Rebuilds  
Load Haul Dump Bearing  
Farm Implement Repairs  
Heavy Equipment Attachment  
4-in-1 Bucket Bushes  
Wheel Loader Bushing  
Underground Cylinder Bush  
Opencut Cylinder Bush

### BUSHINGS

Quantity Discounts Available only upon request at point of sale provided all outstanding invoices are settled within 7 Days

Disc. for 10 of any line item \$5 ea  
Disc. for 20 of any line item \$6 ea  
Disc. for 30 of any line item \$8 ea  
Disc. for 40 of any line item \$10 ea

Wholesale Prices shown for \$170 Minimum order

Retail: POA \$130 Min order

Plus freight & GST. All prices subject to change without notice

Prices shown are for \$170 Minimum Wholesale Order, Plus freight & GST.

Orders below this amount are Retail, POA and \$130 minimum.

All prices subject to change without notice

Dimensions shown are for the KSet Precision Bush, not for similar OEM bush.

# Hardened and Ground Steel Bushings

## Bushes for 1inch Diameter Shaft:

KSet Part No.	Price EX GST	Outside	Inside Ø	Length		Manufacture Notes	Locations
B32-26-16	\$ 44	1.250"	1.006"	0.63"	.04 kg	For Case	G35361
B32-26-19	\$ 36	1.252"	1.0005"	0.75"	.05 kg	Hardness: 63 Rockwell C	Bush
B32-26-20	\$ 42	1.251"	1.006"	0.75"	.05 kg	KSet Design 2003	Plain Bush
B32-26-26	\$ 34	1.251"	1.006"	1.00"	.06 kg	Bobcat Retrofit	Plain Bush
B32G26G26	\$ 47	1.252"	1.006"	1.00"	.06 kg	KSet Design 2018 for Bobcat Retrofit	
B33-26-26	\$ 39	1.254"	1.003"	1.00"	.06 kg	KSet Design 2005	Close Fit
B32-26-32	\$ 42	1.251"	1.006"	1.25"	.07 kg	KSet Design 2005	Plain Bush
B32G26G32	\$ 46	1.251"	1.006"	1.25"	.07 kg	KSet Design 2017	Greasable Bush
B32-26-38	\$ 48	1.251"	1.006"	1.50"	.09 kg	KSet Design 2005	Plain Bush
B32G26G38	\$ 50	1.251"	1.006"	1.50"	.09 kg	KSet Design 2020	Greasable Bush
B32-26-45	\$ 42	1.251"	1.007"	1.75"	for	Massey Ferguson	Plain
B32F26-45	\$ 46	1.251"	1.004"	1.79"	.12 kg	Flange Bush	MCC 2014
B32-26-51	\$ 56	1.251"	1.007"	2.00"		KSet Design 2005	Plain Bush
B32G26G51	\$ 56	1.251"	1.007"	2.00"		KSet Design 2019	Greasable Bush
B35-26-26	\$ 50	1.377"	1.005"	1.00"	.09 kg	Darwin LNG	Plain Bush
B35-26-32	\$ 49	1.377"	1.005"	1.25"	.12 kg	KSet Design 2005	Plain Bush
B35-26-38	\$ 46	1.377"	1.007"	1.50"	.13 kg	KSet Design 2004	Plain Bush
B35G26G38	\$ 50	35.07mm	1.007"	38.0mm	.13 kg	John Deere Bushing	R99444
B35-26-51	\$ 54	1.377"	1.007"	2.00"	.18 kg	KSet Design 2015	Plain Bush
B35G26G51	\$ 60	1.377"	1.006"	2.00"	.18 kg	KSet Design 2020	Greasable Bush
B38-26-26	\$ 53	1.502"	1.002"	1.00"	.07 kg	KSet Design 2002	Plain Bearing
B38-26-38	\$ 48	1.502"	1.007"	1.50"		Case Hardened	Plain Bush
B38G26G50	\$ 65	1.502"	1.004"	1.97"	.24 kg	KSet Design 2007	Greasable
B38-26-51	\$ 65	1.502"	1.002"	2.00"		KSet Design 2011	Darwin Bearings
B40-26-50	\$ 48	40.05mm	1.004"	1.97"		Global Marine	Plain

## Bushes to Suit 28mm Ø Shaft

KSet Part No.	Price EX GST	Outside	Inside	Length		Manufacture Notes	Locations
B36-28-26	\$ 40	36.04mm	28.02mm	25.4mm	.08 kg	Sandvik TB40	2088 8408
B36-28-30	\$ 36	36.04mm	28.02mm	30.0mm	.095 kg	KSet 2004 for Sandvik	4765 0308
B36G28G39	\$ 44	36.04mm	28.02mm	39.5mm	.12 kg	Sandvik TB60 TB40	5994 3148
B37G28G39	\$ 50	37.04mm	28.02mm	39.5mm	.12 kg	KSet Design 2019	Line Borer Bush

Prices shown are for \$170 Minimum Wholesale Order, Plus freight & GST.

Orders below this amount are Retail, POA and \$130 minimum.

All prices subject to change without notice

Dimensions shown are for the KSet Precision Bush, not for similar OEM bush.

### KSet Aftermarket Pins and Bushes

have a reliable reputation sold to specifications discussed at point of sale or as shown in this catalogue. It is the **Purchaser's Responsibility** to measure the parts before fitting, to ensure correct Interference and Clearance Fit

KSet Engineering accepts no responsibility for pin to bush clearance after fitting **No Warranty** is given or implied as to **Wear Life** or Breakability of Shaft, Pins or Bushes

### Engineered Bush Applications

Bucket, Arm and Cylinder Joints of excavators and wheel loaders  
Heavy Load Joints. Boom Foot  
Boom Cylinder Foot  
Boom Cylinder Ram Eye  
Excavator Pivot Points  
Replacement of Bronze Bushes  
Replace Fibre Bushes  
Lineboring Rebuilds  
Load Haul Dump Bearing  
Farm Implement Repairs  
Heavy Equipment Attachment  
4-in-1 Bucket Bushes  
Wheel Loader Bushing  
Underground Cylinder Bush  
Opencut Cylinder Bush

### BUSHINGS

Quantity Discounts Available only upon request at point of sale provided all outstanding invoices are settled within 7 Days

Disc. for 10 of any line item \$5 ea  
Disc. for 20 of any line item \$6 ea  
Disc. for 30 of any line item \$8 ea  
Disc. for 40 of any line item \$10 ea

Wholesale Prices shown for \$170 Minimum order

Retail: POA \$130 Min order

Plus freight & GST. All prices subject to change without notice

# Case Hardened Bushes - Precision Ground

## Bushes to Suit 1 1/8" Diameter Shaft

KSet Part No.	Price EX GST	Outside	Inside	Length		Manufacture Notes	Locations
B35-29-21	\$ 34	1.385"	1.128"	0.813"	.06 kg	KSet 2021	Plain Bush
B35-29-29	\$ 34	1.376"	1.130"	1.13"	.08 kg	KSet 2001	Plain Bush
B35-29-32	\$ 32	1.385"	1.128"	1.25"	.08 kg	KSet 2012	Plain Bush
B35-29-38	\$ 38	1.376"	1.129"	1.50"	.10 kg	KSet 2012	Plain Bush
B35G29G50	\$ 45	1.376"	1.131"	1.96"	.12 kg	Greasable	Cylinder Bush
B38-29-25	\$ 36	1.504"	1.132"	1.00"	.10 kg	KSet 2004	Plain Bush
B38-29-35	\$ 36	1.502"	1.131"	1.37"	.14 kg	KSet 2004	Plain Bush
B38-29-51	\$ 50	1.502"	1.129"	2.00"	.20 kg	KSet 2004	Plain Bush

## Bushes to Suit 30mm Diameter Shaft

KSet Part No.	Price EX GST	Outside	Inside	Length		Manufacture Notes	Locations
B35-30-30	\$ 48	35.05mm	30.12mm	30.0mm	.06 kg	6802588 Bobcat	Toyota SDK8
B35-30-40	\$ 45	35.05mm	30.12mm	40.0mm	.08kg	6802217 Excavator Bobcat	320-Bush-F,I,J
B35G30G40	\$ 45	35.05mm	30.12mm	40.0mm	.08 kg	Bobcat Excavator	Daken Bucket Bush
B35G30G45	\$ 54	35.05mm	30.12mm	45.0mm	.09 kg	Bobcat S330	Bushing
B36-30-30	\$ 50	36.05mm	30.12mm	30.0mm	.08 kg	KSet Australian made steel	Plain Bush
B36G30G43	\$ 48	36.07mm	30.10mm	43.0mm	.11kg	KSet Design 2017	Greasable Bush
B38-30-20	\$ 40	38.05mm	30.10mm	20.0mm	.07 kg	KSet Design 2004	Plain Bush
B38-30-25	\$ 42	38.06mm	30.09mm	25.0mm	.09 kg	KSet Design 2011	Plain Bush
B38-30G30	\$ 40	38.05mm	30.10mm	30.0mm	.10 kg	Kubota	68721-66770
B38G30G30	\$ 44	38.05mm	30.10mm	30.0mm		KSet Design 2008	Greasable Bush
B38-30-35	\$ 46	38.05mm	30.10mm	35.0mm	.12 kg	Kubota	68721-66522
B38G30G35	\$ 48	38.05mm	30.11mm	35.0mm		KSet Design 2007	Greasable
B38-30-40	\$ 47	38.05mm	30.10mm	40.0mm	.14 kg	Kubota Aftermarket	Plain Bush
B38G30G40	\$ 54	38.05mm	30.10mm	40.0mm	.14 kg	Kubota Australian	Greasable Bush
B38G30G55	\$ 66	38.05mm	30.11mm	55.0mm	.19 kg	Kubota Aftermarket Australian	Greasable Bush
B40G30G20	\$ 48	40.08mm	30.12mm	20.0mm	.10 kg	KSet Design 2012	Greasable
B40-30G22	\$ 36	40.09mm	30.14mm	22.0mm	.10 kg	Takeuchi TB015	00021-30022
B40-30-30	\$ 44	40.08mm	30.11mm	30.0mm	.13 kg	KSet Design 2011	Plain Bush
B40-30G30	\$ 42	40.07mm	30.12mm	30.0mm	.13 kg	Type U Case Hardened and ground	Bush
B40G30G30	\$ 50	40.07mm	30.12mm	30.0mm	.13 kg	IHI Excavator 00021-00010	404 325 202
B40-30-33	\$ 44	40.05mm	30.17mm	33.0mm	.14 kg	IHI Mini Excavator	404 331 000
B40G30G35	\$ 53	40.05mm	30.12mm	35.0mm	.14 kg	Bobcat 320	Greasable
B40G30G40	\$ 56	40.05mm	30.11mm	39.7mm	.17 kg	Bobcat 6539270 Furukawa	311541-21130
B40-30X40	\$ 58	40.10mm	30.13mm	40.0mm	.17 kg	IHI Mini Excavator O/Bf8	404 331 000
B40G30G45	\$ 56	40.05mm	30.12mm	45.0mm	.19 kg	KSet Design 2005	Greasable
B40-30-46	\$ 53	40.05mm	30.11mm	46.0mm	.20 kg	IHI Mini Excavator	404 324 600
B40-30-50	\$ 58	40.05mm	30.12mm	50.0mm	.22 kg	Excavator Bush	Plain
B42G30G40	\$ 66	42.05mm	30.11mm	39.7mm	.15 kg	KSet Design 2010	Australian Made
B45G30G50	\$ 70	45.07mm	30.12mm	50.0mm	.25 kg	KSet Design 2020	Heavy Wall
B48G30G36	\$ 62	48.05mm	30.12mm	36.0mm	.30 kg	Atlas Copco Feed Cylinder Bush	EN36A

Dimensions shown are for the KSet Precision Bush, not for similar OEM bush.

### Correct Material for Excavator Bush

What type of steel to machine bucket bushes for a backhoe or bushings for an excavator from ?

### KSet Bushings

are machined from low carbon hollow bar such as Ovako 280 or 20MnV6 Manganese Vanadium Steel

**Wear Hardness** is added to the surface of the bush by Furnace **Case Hardening Quenched and Tempered** to 59 - 61 Hardness Rockwell C at 200 degrees Celcius

### Engineered Bushing Applications

Bucket, Arm and Cylinder Joints of excavators and wheel loaders Heavy Load Joints. Boom Foot Boom Cylinder Foot Boom Cylinder Ram Eye Excavator Pivot Points Replacement of Bronze Bushes Replace Fibre Bushes Lineboring Rebuilds

### BUSHINGS

Quantity Discounts Available only upon request at point of sale provided all outstanding invoices are settled within 7 Days

Disc. for 10 of any line item \$5 ea  
Disc. for 20 of any line item \$6 ea  
Disc. for 30 of any line item \$8 ea  
Disc. for 40 of any line item \$10 ea

**Wholesale Prices shown for \$170 Minimum order**

**Retail: POA \$130 Min order**

Plus freight & GST. All prices subject to change without notice

# Case Hardened Bushes - Precision Ground

## Bushes to Suit 1.25" Diameter Shaft

KSet Part No.	Price EX GST	Outside	Inside	Length		Manufacture Notes	Locations
B38-32-18	\$ 46	1.502"	1.257"	0.70"	.05 kg	Case 580K Lift Cyl 30634	Front Bucket
B38-32-22	\$ 55	1.501"	1.256"	0.88"	.08 kg	Massey Ferguson Aftermarket	Plain Bush
B38-32-25	\$ 52	1.502"	1.253"	1.00"	.07 kg	KSet Design 2022	Plain Bush
B38G32G25	\$ 57	1.502"	1.253"	1.00"	.07 kg	KSet Design 2005	Greasable
B38-32-27	\$ 47	1.501"	1.258"	1.06"	.07 kg	Massey Ferguson Aftermarket	Plain Bush
B38-32-32	\$ 52	1.502"	1.256"	1.25"	.09 kg	KSet Design 2000	Plain
B38G32G32	\$ 54	1.502"	1.256"	1.25"	.09 kg	KSet Design 2021	Greasable
B38-32-38	\$ 54	1.502"	1.256"	1.50"	.11 kg	KSet New Part No. Replaces B38-32-37	Plain
B38G32G38	\$ 56	1.502"	1.253"	1.50"	.10 kg	KSet Design 2005	Greasable
B38-32-44	\$ 50	1.501"	1.256"	1.74"	.12 kg	KSet Design 2019	Plain
B38G32G44	\$ 58	1.501"	1.256"	1.74"	.12 kg	KSet Design 2009	Greasable
B38G32G50	\$ 67	1.501"	1.258"	1.96"	.13 kg	KSet Design 2000	Greasable
B38G32G63	\$ 90	1.502"	1.258"	2.50"	.18 kg	KSet Design 2012	Greasable
B40-32-20	\$ 44	40.03mm	1.253"	0.79"	.08 kg	KSet Design 2018	Plain Bush
B40-32-26	\$ 48	40.03mm	1.2505"	0.99"	.09 kg	JOY B40-31-25 Aftermarket	01758059-0061
B40-32-32	\$ 49	40.03mm	1.254"	1.25"	.11 kg	KSet Design 2009	Plain Bush
B40G32G36	\$ 52	40.03mm	1.256"	1.42"	.14 kg	Cat Retrofit	Greasable
B40-32-40	\$ 55	40.03mm	1.254"	1.58"	.15 kg	KSet Design 2002	Plain Bearing
B40G32G40	\$ 54	40.02mm	32.10mm	40.0mm	.15 kg	Bush to suit 32mm Diameter Pin	
B40G32G49	\$ 65	40.02mm	32.10mm	49.8mm	.17 kg	Bush to suit 32mm Diameter Pin	
B40-32-50	\$ 58	40.03mm	1.254"	1.97"	.18 kg	Cat247B	Skid Steer Loader
B40-32G50	\$ 55	40.01mm	1.259"	1.95"	.18 kg	Bobcat attachment	CAT 159-5756
B40G32G50	\$ 65	40.02mm	1.258"	1.97"	.18 kg	Cat247B	Greasable
B42-32-12	\$ 24	1.6275"	1.253"	0.47"	.05 kg	Extra Hard Bush	64 HRC
B42-32-32	\$ 48	1.627"	1.255"	1.25"	.13 kg	For Case 580	D33827
B42G32G32	\$ 46	1.627"	1.255"	1.25"	.13 kg	KSet Design 2020	Greasable
B42-32-38	\$ 48	1.627"	1.255"	1.50"	.16 kg	KSet Design 2008	Plain
B42G32G45	\$ 64	1.627"	1.255"	1.75"	.18 kg	KSet Design 2018	Greasable
B42-32-48	\$ 45	1.627"	1.256"	1.87"	.20 kg	KSet Design 2004	Roller Bush
B42G32G51	\$ 66	1.627"	1.256"	2.00"	.20 kg	KSet Design 2012	Greasable
B44-32-26	\$ 46	1.752"	1.255"	1.00"	.15 kg	KSet Design 2017	Plain Bush
B44-32-32	\$ 48	1.752"	1.256"	1.25"	.19 kg	KSet Design 2009	Plain Bush
B44-32-51	\$ 67	1.752"	1.257"	2.00"	.30 kg	KSet Design 2006	Plain Bush
B44G32G51	\$ 70	1.752"	1.256"	2.00"	.30 kg	KSet Design 2008	Greasable
B44-32G76	\$ 80	1.751"	1.256"	3.00"	.45 kg	KSet Design 2001	Type U Plain Bush
B51-32-26	\$ 46	2.002"	1.259"	1.00"	.24 kg	KSet Design 2004	Plain Bush
B51-32-51	\$ 60	2.001"	1.257"	2.00"	.49 kg	KSet Design 2008	Plain Bush
B51G32G51	\$ 62	2.001"	1.258"	2.00"	.49 kg	KSet Design 2016	Greasable Bush
B55-32-55	\$ 70	55.50mm	1.271"	55.0mm	kg	Plain	Heavy Wall Bush
B55G32G66	\$ 70	55.07mm	1.259"	66.0mm	kg	Greasable	John Deere R81853
B45-33-44	\$ 44	44.90mm	32.80mm	44.0mm	.26 kg	2012	Special Bushing
B45-33-45	\$ 60	45.00mm	33.00mm	44.0mm	.26 kg	Custom Part	Bushing 2015

### Correct Material for Excavator Bush

What type of steel to machine bucket bushes for a backhoe or bushings for an excavator from ?

### KSet Bushings

are machined from low carbon hollow bar such as Ovako 280 or 20MnV6 Manganese Vanadium Steel

**Wear Hardness** is added to the surface of the bush by Furnace **Case Hardening**

**Quenched and Tempered** to 59-61 Hardness Rockwell C at 200 degrees Celcius

### Engineered Bushing Applications

Bucket, Arm and Cylinder Joints of excavators and wheel loaders Heavy Load Joints. Boom Foot Boom Cylinder Foot Boom Cylinder Ram Eye Excavator Pivot Points Replacement of Bronze Bushes Replace Fibre Bushes Lineboring Rebuilds

### BUSHINGS

Quantity Discounts Available only upon request at point of sale provided all outstanding invoices are settled within 7 Days

Disc. for 10 of any line item \$5 ea  
Disc. for 20 of any line item \$6 ea  
Disc. for 30 of any line item \$8 ea  
Disc. for 40 of any line item \$10 ea

**Wholesale Prices shown for \$170 Minimum order**

**Retail: POA \$130 Min order**

Plus freight & GST. All prices subject to change without notice

Prices shown are for \$170 Minimum Wholesale Order, Plus freight & GST.

Orders below this amount are Retail, POA and \$130 minimum.

All prices subject to change without notice

Dimensions shown are for the KSet Precision Bush, not for similar OEM bush.



# Case Hardened Bushes - Precision Ground

## Bushes for 35mm Diameter Shaft:

KSet Part No.	Price EX GST	Outside	Inside	Length		Manufacture Notes	Locations
B46-34-32	\$ 26	45.53mm	34.15mm	32.0mm	.26 kg	Custom 2005	Chain Bearing Bush
B40-35-25	\$ 50	40.05mm	35.10mm	25.0mm	.06 kg	Bobcat	331-Bush-H
B40-35-30	\$ 50	40.03mm	35.10mm	30.0mm	.07 kg	Toyota	90387-35003-71
B40-35-50	\$ 60	40.01mm	35.11mm	50.0mm	.12 kg	Toyota 35DK8	331-Bush-J
B40G35G50	\$ 64	40.01mm	35.11mm	50.0mm	.12 kg	Bobcat	331-Bush-HR
B45-35G29	\$ 37	45.10mm	35.17mm	29.2mm	.14 kg	IHI	404 323 109
B45-35-30	\$ 54	45.05mm	35.11mm	30.0mm	.17 kg	KSet Design 2005	Plain Bush
B45G35G30	\$ 54	45.05mm	35.12mm	30.0mm	.15 kg	Bobcat &	IHI 404 330 200
B45-35-35	\$ 54	45.05mm	35.11mm	35.0mm	.18 kg	KSet Design 2008	Plain Bush
B45-35G35	\$ 46	45.06mm	35.13mm	35.0mm	.17 kg	404 323 105	PC20-Bush-H,I,J,K
B45G35G35	\$ 55	45.05mm	35.10mm	35.0mm	.17 kg	Komatsu Greasable	PC20-HR
B45G35-35	\$ 40	45.05mm	35.11mm	35.0mm		Greasable	No Internal Groove
B45-35X35	\$ 62	45.04mm	35.22mm	34.9mm	.16 kg	Kubota Aftermarket	68741-66630
B45-35G38	\$ 47	45.05mm	35.10mm	38.0mm		Furukawa	550811-11190
B45-35-40	\$ 62	45.06mm	35.14mm	40.0mm	.20 kg	KSet Design 2018	Plain Bush
B45G35G40	\$ 60	45.05mm	35.10mm	40.0mm	.19 kg	Furukawa	550901-12240
B45G35G45	\$ 62	45.06mm	35.12mm	45.0mm	.22 kg	Excavator Bush	19000-12002
B45-35-45	\$ 90	45.04mm	35.05mm	45.0mm	.23 kg	High Tensile	EN36A Toolmaking
B45-35-46	\$ 57	45.06mm	35.14mm	45.0mm	.23 kg	KSet Design 2018	Plain Bush
B45-35-49	\$ 56	45.05mm	35.11mm	49.0mm	.24 kg	KSet Design 2009	Plain Bush
B45-35-50	\$ 95	45.04mm	35.05mm	50.0mm	.25 kg	High Tensile	EN36A Toolmaking
B45-35-51	\$ 62	45.06mm	35.14mm	50.0mm	.25 kg	KSet Design 2018	Plain Bush
B45G35G50	\$ 70	45.05mm	35.12mm	50.0mm	.25 kg	Excavator Bush	01009-01012
B45G35G55	\$ 70	45.05mm	35.12mm	55.0mm	.25 kg	Excavator	Ext. Greasable Bush

## Heavy Wall Bushes for 35mm Diameter Shaft:

KSet Part No.	Price EX GST	Outside	Inside	Length		Manufacture Notes	Locations
B47G35G45	\$ 70	47.05mm	35.15mm	45.0mm	.25 kg	KSet Design 2012	Lineboring
B50-35-40	\$ 58	50.05mm	35.15mm	40.0mm	.30 kg	KSet Design 2018	Lineboring
B50G35G55	\$ 78	50.05mm	35.15mm	55.0mm	.38 kg	KSet Design 2012	Lineboring
B53G35G45	\$ 88	53.12mm	35.10mm	45.0mm	.43 kg	KSet for Atlas Copco	9128734300

Prices shown are for \$170 Minimum Wholesale Order, Plus freight & GST.

Orders below this amount are Retail, POA and \$130 minimum.

All prices subject to change without notice

Dimensions shown are for the KSet Precision Bush, not for similar OEM bush.

### Engineered Bushes

Bucket, Arm and Cylinder Joints of excavators and wheel loaders  
Heavy Load Joints. Boom Foot  
Boom Cylinder Foot  
Boom Cylinder Ram Eye  
Excavator Pivot Points  
Replacement of Bronze Bushes  
Replace Fibre Bushes  
Opencut Cylinder Bush  
Concrete Recycling Plant  
Rock Crusher  
Mobile Jaw Crushers  
Mobile Impact Crushers  
Mobile Screeners  
Hammer Mill Shafts  
Underground Cylinder Bush  
aftermarket Tamrock bush  
Adaptable Steel Bush for Bronze  
Traxcavator Replacement Bush  
Tree Harvester Attachment Bush  
Log Grapple Bush  
Australia Grabs & Grapple Bush  
Rotator Pins and Bushes  
Rotator Link Bush  
Forestry Attachment Bush  
NZ Industrial Bushings  
NZ Forestry Attachment  
Loader Log Grab  
Forest Harvesting Attachment  
Tasmania Industrial Supplies  
NSW Laser Earthworks  
Gippsland Sawmills

### BUSHINGS

Quantity Discounts Available  
only upon request at point of sale  
provided all outstanding invoices  
are settled within 7 Days

Disc. for 10 of any line item \$5 ea

Disc. for 20 of any line item \$6 ea

Disc. for 30 of any line item \$8 ea

Disc. for 40 of any line item \$10 ea

Wholesale Prices  
shown for \$170  
Minimum order

Retail: POA  
\$130 Min order

Plus freight & GST. All prices  
subject to change without notice

# Case Hardened Bushes - Precision Ground

## Bushes for 1.5 inch Diameter Shaft:

KSet Part No.	Price EX GST	Outside	Inside	Length		Manufacture Notes	Locations
B44-38-25	\$ 55	1.751"	1.506"	1.00"	.08 kg	KSet Design 2003	Plain Bush
B44-38-29	\$ 48	1.751"	1.508"	1.13"	.09 kg	Massey Ferguson	846002M1
B44-38-32	\$ 50	1.751"	1.506"	1.25"		KSet Design 2003	Plain Bush
B44G38G32	\$ 55	1.751"	1.506"	1.25"	.11 kg	KSet Design 2011	Greasable Bush
B44-38-38	\$ 54	1.751"	1.507"	1.50"	.14 kg	KSet Popular 2005	Plain Bush
B44G38G38	\$ 58	1.751"	1.507"	1.50"	.13 kg	KSet Imperial	Greasable Bush
B44-38-45	\$ 60	1.751"	1.508"	1.75"	.16 kg	KSet Design 2007	Plain Bush
B44G38G45	\$ 62	1.751"	1.504"	1.75"	.16 kg	KSet Design 2004	Greasable Bush
B44-38-50	\$ 68	1.752"	1.503"	1.97"	.17 kg	KSet Design 2006	Close Fit
B44G38G50	\$ 74	1.753"	1.504"	1.97"	.17 kg	KSet Design 2002	Greasable Bush
B44-38-51	\$ 74	1.7505"	1.5005"	2.00"	.17 kg	KSet Design 2015	Static Fit
B45-38-22	\$ 40	45.06mm	1.500"	0.87"		KSet 2015	Line Borer Plain Bush
B45-38-32	\$ 52	45.09mm	1.509"	1.25"		KSet 2008	Line Borer Plain Bush
B45-38-38	\$ 56	45.09mm	1.507"	1.50"		KSet 2022	Line Borer Plain Bush
B46-38-15	\$ 32	46.04mm	38.08mm	15.9mm		Downer Metric	Plain Bush
B46-38-76	\$ 98	46.05mm	1.506"	3.00"	.32 kg	KSet 2003	Line Borer Plain Bush

## Bushes for 38mm Ø and 1.5" Ø Shaft:

KSet Part No.	Price EX GST	Outside	Inside	Length		Manufacture Notes	Locations
B47-38G45	\$ 60	47.02mm	38.08mm	44.8mm	.21 kg	Sandvik VME12	3176 7714 00
B48-38-22	\$ 46	1.876"	1.502"	0.87"	.12 kg	KSet Design 2014	Plain Bush
B48-38-25	\$ 46	1.876"	1.509"	1.00"	.12 kg	Case 455C	D31140
B48-38-29	\$ 46	1.876"	1.508"	1.13"	.14 kg	Case 580	D30932, D37763
B48-38-32	\$ 50	1.876"	1.509"	1.25"	.17 kg	Case	D30933
B48G38G32	\$ 52	1.876"	1.509"	1.25"	.15 kg	John Deere	U10616
B48G38G33	\$ 50	48.05mm	38.15mm	33.0mm		Yanmar VIO40	Metric
B48-38-37	\$ 50	1.877"	1.506"	1.48"	.19 kg	KSet Design 2009	Plain Bush
B48G38G38	\$ 52	1.877"	1.508"	1.50"	.18 kg	Massey Ferguson	Greasable
B48-38-39	\$ 50	1.876"	1.509"	1.53"	.20 kg	Joy 01069127-0252	D30929 Case D49429
B48G38G40	\$ 53	48.05mm	38.15mm	40.0mm	.21 kg	KSet Design 2005	Metric
B48G38G45	\$ 56	48.05mm	38.15mm	45.0mm	.24 kg	Yanmar VIO20	Metric
B48G38G49	\$ 58	1.878"	1.507"	1.93"	.24 kg	KSet Design 2009	Greasable
B48-38G50	\$ 64	48.05mm	38.15mm	50.0mm		KSet Design 2011	Metric Bush
B48-38-51	\$ 60	1.877"	1.506"	2.00"	.26 kg	KSet Design 2009	Imperial Bush
B48-38G55	\$ 52	48.05mm	38.15mm	55.0mm		Yanmar VIO20	Metric
B48G38G55	\$ 56	48.05mm	38.15mm	55.0mm	.29 kg	KSet Design 2011	Metric
B48-38-70	\$ 65	1.876"	1.511"	2.75"	.31 kg	Case	D30931
B50G38G40	\$ 55	50.07mm	38.14mm	39.9mm	.24 kg	Yanmar VIO20	Metric
B50G38G49	\$ 54	50.07mm	38.14mm	49.0mm	.30 kg	KSet Design 2008	Metric
B50G38G55	\$ 68	50.07mm	38.14mm	54.6mm	.33 kg	KSet 2018	Yanmar Metric
B50-38-57	\$ 56	50.06mm	1.500"	2.24"		John Deere 670B 672B	H145104

### Engineered Bushes

Bucket, Arm and Cylinder Joints  
of excavators and wheel loaders  
Heavy Load Joints. Boom Foot  
Boom Cylinder Foot  
Boom Cylinder Ram Eye  
Excavator Pivot Points  
Replacement of Bronze Bushes  
Replace Fibre Bushes  
Opencut Cylinder Bush  
Concrete Recycling Plant  
Rock Crusher  
Mobile Jaw Crushers  
Mobile Impact Crushers  
Mobile Screeners  
Hammer Mill Shafts  
Underground Cylinder Bush

Aftermarket Tamrock bush  
Adaptable Steel Bush for Bronze  
Traxcavator Replacement Bush  
Tree Harvester Attachment Bush  
Log Grapple Bush  
Australia Grabs & Grapple Bush  
Rotator Pins and Bushes  
Rotator Link Bush  
Forestry Attachment Bush  
NZ Industrial Bushings  
NZ Forestry Attachment  
Loader Log Grab  
Forest Harvesting Attachment  
Tasmania Industrial Supplies  
NSW Laser Earthworks  
Gippsland Sawmills

### BUSHINGS

Quantity Discounts Available  
only upon request at point of sale  
provided all outstanding invoices  
are settled within 7 Days

Disc. for 10 of any line item \$5 ea  
Disc. for 20 of any line item \$6 ea  
Disc. for 30 of any line item \$8 ea  
Disc. for 40 of any line item \$10 ea

Prices shown are for \$170 Minimum Wholesale Order, Plus freight & GST.

Orders below this amount are Retail, POA and \$130 minimum.

All prices subject to change without notice

Dimensions shown are for the KSet Precision Bush, not for similar OEM bush.

# Case Hardened Bushes - Precision Ground

## Bushes for 1.5 inch Diameter Shaft .....Continued:

<u>KSet Part No.</u>	<u>Price</u> EX GST	<u>Outside</u>	<u>Inside</u>	<u>Length</u>		<u>Manufacture Notes</u>	<u>Locations</u>
B51-38-19	\$ 42	2.002"	1.506"	0.75"	.13 kg	KSet Design 2020	Plain Bush
B51-38-26	\$ 52	2.002"	1.506"	1.00"	.17 kg	KSet Design 2000	Plain Bush
B51G38-29	\$ 48	2.0025"	1.507"	1.13"	.17 kg	Suit Caterpillar 2x5Ø holes	7K9592
B51-38-31	\$ 50	2.002"	1.508"	1.24"		KSet Design 2007	Plain Bush
B51G38G32	\$ 52	2.002"	1.508"	1.25"		KSet Design 2000	Greasable
B51-38-35	\$ 52	2.002"	1.507"	1.37"	.24kg	KSet Design 2011	Plain Bush
B51G38G35	\$ 54	2.002"	1.508"	1.37"	.23kg	KSet Design 2018	Greasable
B51G38G38	\$ 58	2.002"	1.508"	1.50"	.25kg	Was previously	B51G39G38
B51-38-39	\$ 56	2.002"	1.508"	1.50"	.26kg	5D4541 Straight Sleeve Bearing suit Cat	
B51-38-45	\$ 66	2.002"	1.508"	1.75"	.31kg	KSet Design 2008	Plain Bush
B51G38G45	\$ 66	2.002"	1.508"	1.75"	.30kg	KSet Design 2003	Greasable
B51G38-47	\$ 48	2.003"	1.507"	1.86"	.32kg	For Caterpillar 4 x 6 Ø holes	7K9593
B51-38-51	\$ 62	2.002"	1.510"	2.00"	.35kg	KSet Design 2009	Plain Bush
B51G38G51	\$ 68	2.002"	1.510"	2.00"	.34kg	KSet Design 2000	Greasable
B51G38G60	\$ 85	2.002"	1.505"	2.37"	.40kg	KSet Design 2006	Bobcat Refurb
B51G38G63	\$ 72	2.002"	1.510"	2.48"	.42kg	KSet Design 2007	Greasable
B51G38G70	\$ 88	2.002"	1.506"	2.75"	.47kg	KSet Design 2011	Greasable
B51G38G76	\$ 92	2.002"	1.508"	3.00"	.51 kg	KSet Design 2004	Greasable
B51G38G102	\$128	2.002"	1.509"	4.00"	.69 kg	KSet Design 2004	Greasable
B52G38G38	\$ 68	2.063"	1.509"	1.50"		KSet Design 2007	Greasable
B54-38-49	\$ 64	2.126"	1.504"	1.94"	.45 kg	KSet Design 2010	Plain Bush
B54-38-53	\$ 62	2.128"	1.501"	2.08"	.50kg	Eimco	New A2U913-194145
B54-38-54	\$ 58	2.125"	1.501"	2.13"	.50kg	Eimco	Old A2U913-194145
B54-38H82	\$ 60	2.127"	1.504"	3.23"	.71kg	Eimco 2 x 16 Ø holes	A2U913-194264
B54-38H90	\$ 66	2.127"	1.504"	3.54"	.78kg	Eimco 2 x 16 Ø holes	A2U913-197197
B55G38G51	\$ 50	55.09mm	1.509"	2.01"		Greasable	John Deere R82942
B57G38G43	\$ 46	2.243"	1.508"	1.69"		John Deere	T126936, T47070
B57-38-51	\$ 70	2.252"	1.508"	2.00"	.58kg	KSet Design 2009	Plain Bush
B60-37-37	\$ 38	2.365"	1.451"	1.46"		John Deere	T81452

**Correct Material for Backhoe Bush**  
What type of steel to machine bucket bush for a backhoe or bushings for an excavator from ?

**KSet Bushings** are machined from low carbon hollow bar such as Ovako 280 or 20MnV6 Manganese Vanadium Steel

**Wear Hardness** is added to the surface of the bush by Furnace **Case Hardening Quenched and Tempered** to 59 - 61 Hardness Rockwell C at 200 degrees Celsius

### Engineered Bushing Applications

Bucket, Arm and Cylinder Joints of excavators and wheel loaders Heavy Load Joints. Boom Foot Boom Cylinder Foot Boom Cylinder Ram Eye Excavator Pivot Points Replacement of Bronze Bushes Replace Fibre Bushes Lineboring Rebuilds

### BUSHINGS

Quantity Discounts Available only upon request at point of sale provided all outstanding invoices are settled within 7 Days

Disc. for 10 of any line item \$5 ea  
Disc. for 20 of any line item \$6 ea  
Disc. for 30 of any line item \$8 ea  
Disc. for 40 of any line item \$10 ea

"We find that KSet bushes are in stock almost 100% of the time."

Prices shown are for \$170 Minimum Wholesale Order, Plus freight & GST.

Orders below this amount are Retail, POA and \$130 minimum.

All prices subject to change without notice

Dimensions shown are for the KSet Precision Bush, not for similar OEM bush.

# Case Hardened Bushes - Precision Ground

## Bushes for 40mm Diameter Shaft:

KSet Part No.	Price EX GST	Outside	Inside	Length		Manufacture Notes	Locations
B44-40-25	\$48	44.05mm	40.05mm	25.0mm	.06 kg	Mount Isa	Thin Wall Bush
B44-40-30	\$54	44.05mm	40.05mm	30.0mm	.07 kg	Mount Isa	Thin Wall Bush
B45-40-38	\$60	45.05mm	40.10mm	38.0mm	.10 kg	KSet Designed 2012	Plain Bush
B45-40-47	\$67	45.05mm	40.10mm	47.0mm	.12 kg	KSet Designed 2004	Plain Bush
B48-40-20	\$52	48.04mm	40.05mm	20.0mm	.085 kg	Aftermarket for Sandvik	5502 3390
B48-40-30	\$54	48.03mm	40.09mm	30.0mm	.13 kg	Aftermarket for Sandvik	4985 2501
B48-40-31	\$50	48.03mm	40.04mm	30.0mm	.13 kg	Aftermarket for Sandvik	4536 8998
B48-40-38	\$56	1.8756"	40.20mm	38.1mm		Case580	G108507
B48G40G49	\$72	48.05mm	40.12mm	49.0mm	.26 kg	KSet Design 2019	Greasable
B48G40G60	\$76	48.05mm	40.12mm	60.0mm	.26 kg	Kobelco 2004	Greasable
B50-40G24	\$48	50.10mm	40.17mm	24.3mm	.13 kg	IHI35J-Bush-HL	404 323 101
B50-40-28	\$44	50.03mm	40.20mm	28.0mm	.16 kg	Case Loader Bucket	D129264
B50G40G30	\$50	50.05mm	40.10mm	30.0mm	.16 kg	KSet Design 2012	Greasable
B50-40-32	\$44	50.01mm	40.21mm	32.0mm	.18 kg	Case 580K	E172051
B50-40G32	\$44	50.03mm	40.16mm	31.9mm	.18 kg	Kubota KX71	68741-66770
B50G40G34	\$60	50.05mm	40.11mm	34.6mm		Furukawa 352541-21160	353541-21130
B50-40-35	\$50	50.03mm	40.18mm	34.8mm		Case 580 SLE	Plain Bush
B50-40G39	\$55	50.10mm	40.18mm	39.2mm	.22 kg	IHI 404 323 104	35J-Bush-H,I,J,K,G
B50-40-39	\$55	50.05mm	40.17mm	39.5mm	.22 kg	Kubota KX41	68741-6677-0
B50-40-40	\$58	50.05mm	40.28mm	40.0mm	.22 kg	John Deere	R72579
B50G40G40	\$62	50.05mm	40.11mm	40.0mm	.21 kg	IHI35J-Bush-HR	075-223-221
B50G40G45	\$64	50.05mm	40.12mm	45.0mm	.24 kg	IHI35J	Takeuchi 075 224 021
B50G40X45	\$78	50.05mm	40.15mm	45.0mm		075 223 923	O/Bf8
B50-40-50	\$64	50.05mm	40.17mm	50.0mm	.28 kg	Kubota KX71	68351-6776-0
B50G40G50	\$69	50.06mm	40.17mm	50.0mm	.27 kg	Kubota KX71	68351-6777-0
B50G40G60	\$77	50.09mm	40.17mm	60.0mm	.32 kg	KSet Design 2009	Greasable
B50G40G62	\$74	50.09mm	40.12mm	62.0mm	.33 kg	John Deere	R81488
B50G40G67	\$80	50.09mm	40.24mm	67.0mm	.37 kg	John Deere	T100240
B50-40-70	\$64	50.01mm	40.23mm	70.0mm	.39 kg	Case 580K	D129240
B50G40G75	\$92	50.10mm	40.17mm	75.0mm	.42 kg	KSet Design 2020	Greasable Bush
B50G40G80	\$96	50.10mm	40.17mm	80.0mm	.44 kg	KSet Design 2013	Greasable Bush
B50G40G100	\$120	50.10mm	40.19mm	100.0mm		KSet 2019 Replaces John Deere	T76638
B51-40-38	\$50	2.002"	40.17mm	38.0mm		KSet Design 2007	Plain Bush
B51G40G50	\$62	2.002"	40.16mm	50.0mm		Greasable	Bushing
B52-40-50	\$64	52.07mm	40.14mm	50.0mm	.34 kg	KSet Design 2009	Plain Bush
B52G40G50	\$80	52.07mm	40.14mm	50.0mm	.34 kg	KSet Design 2021	Greasable Bush
B53-40-38	\$45	53.08mm	40.25mm	38.1mm	.29 kg	John Deere	9R0111
B53G40G50	\$74	53.08mm	40.16mm	50.0mm	.37 kg	KSet Design 2011	Greasable
B55-40-30	\$52	55.02mm	40.21mm	30.0mm	.26 kg	Case 580SLE	D136570
B55G40X40	\$76	55.06mm	40.16mm	40.0mm	.35 kg	KSet Design 2022	Bf8 Greasable
B55G40X45	\$82	55.06mm	40.16mm	45.0mm	.38 kg	KSet Design 2004	Bf8 Greasable
B55G40G65	\$72	55.07mm	40.21mm	65.0mm	.56 kg	John Deere 315	R81849
B56-40-50	\$74	56.05mm	40.12mm	50.0mm	.47 kg	KSet Design 2006	Plain Bush
B60-40-32	\$60	60.10mm	40.15mm	32.0mm	.40 kg	KSet Design Heavy Wall	2013
B60-40-45	\$70	60.10mm	40.15mm	45.0mm	.57 kg	KSet Design Heavy Wall	2010
B60G40G50	\$84	60.08mm	40.17mm	50.0mm		KSet Design Heavy Wall	2013
B60G40G60	\$104	60.08mm	40.16mm	60.0mm	.73 kg	KSet Design Heavy Wall	2009

Dimensions shown are for the KSet Precision Bush, not for similar OEM bush.

### Pin Steel NZ

KSet hardened steel bush  
Leave KSet Monday  
Arrive New Zealand  
Wednesday

Case Hardened Bushes  
Hardened Steel Canada  
KSet hardened steel bush  
Leave KSet Friday  
Arrive Canada Monday  
Case Hardened Bushes

Steel Bearing Sleeve USA  
KSet hardened steel bush  
3 days to North America  
Leave KSet Wednesday  
Delivered America Friday

America Steel Bearings  
KSet hardened steel bush  
3 day delivery to USA  
Leave KSet Friday  
Delivered America Monday

### BUSHINGS

Quantity Discounts Available  
only upon request at point of sale  
provided all outstanding invoices  
are settled within 7 Days

Disc. for 10 of any line item \$5 ea  
Disc. for 20 of any line item \$6 ea  
Disc. for 30 of any line item \$8 ea  
Disc. for 40 of any line item \$10 ea

Wholesale Prices  
shown for \$170  
Minimum order

Retail: POA  
\$130 Min order

Plus freight & GST. All prices  
subject to change without notice

# Case Hardened Bushes - Precision Ground

## Bushes for 1 3/4" Diameter Shaft:

KSet Part No.	Price EX GST	Outside	Inside	Length		Manufacture Notes	Locations
B51-44-26	\$ 55	2.002"	1.756"	1.00"	.10 kg	KSet Design 2019	Plain Bush
B51-44-38	\$ 60	2.002"	1.758"	1.50"	.14 kg	Massey Ferguson	Plain Bush
B51G44G38	\$ 63	2.002"	1.758"	1.50"	.14 kg	KSet Design 2018	Greasable
B51G44G44	\$ 63	2.001"	1.754"	1.75"	.16 kg	KSet Design 2003	Greasable
B51-44-51	\$ 63	2.002"	1.756"	2.00"	.19 kg	KSet Design 2011	Plain Bush
B51G44G51	\$ 69	2.002"	1.756"	2.00"	.19 kg	KSet Design 2011	Greasable
B54-44-22	\$ 46	2.126"	1.758"	0.88"	.12 kg	Case D33047, D46405, G34845	
B54-44-26	\$ 52	2.126"	1.759"	1.01"	.14 kg	Case D34340 Hydraulic cylinder bush	
B54-44-30	\$ 50	2.126"	1.757"	1.19"	.16 kg	D94018 D37392=B54-44-32 B54-44-29= D35071	
B54-44-38	\$ 57	2.126"	1.753"	1.50"	.27 kg	KSet Design 2004 Was B54-44-37	
B54G44G38	\$ 60	2.126"	1.754"	1.50"	.22 kg	KSet Design 2006	Greasable
B54-44-39	\$ 59	2.126"	1.759"	1.51"	.27 kg	Case 455C D34354	
B54G44G44	\$ 60	2.126"	1.754"	1.75"	.25kg	KSet Design 2005	Greasable
B54G44G51	\$ 50	2.118"	1.765"	2.00"	.28 kg	John Deere 670B,672B T42080	
B54G44G52	\$ 76	2.126"	1.753"	2.00"	.28 kg	KSet Design 2005	Greasable
B54-44-58	\$ 79	2.126"	1.759"	2.25"	.30 kg	Case D42788	
B57-44-26	\$ 52	2.251"	1.759"	1.00"	.20 kg	Case D43940 Opal Digger Bushing	
B57-44-28	\$ 32	2.251"	1.759"	1.10"	.22 kg	Case D127172, 107124A1	
B57-44-29	\$ 42	2.251"	1.758"	1.13"	.23 kg	Case D127172, 107124A1	
B57-44-32	\$ 48	2.251"	1.761"	1.25"	.25 kg	John Deere T140669 Case D37495	
B57-44-34	\$ 45	2.251"	1.759"	1.36"	.25 kg	Case 580 SLE Bushing	
B57-44G35	\$ 52	2.253"	1.757"	1.38"	.25 kg	CAT950-Bush-Stg 7J9688	
B57-44-36	\$ 47	2.251"	1.757"	1.39"	.27 kg	For Caterpillar 7K9589	
B57G44G38	\$ 32	2.240"	1.748"	1.50"	.26 kg	John Deere Grader T41976	
B57-44-39	\$ 52	2.252"	1.756"	1.50"	.30 kg	Case D50146 Cylinder Bush	
B57G44G39	\$ 60	2.252"	1.756"	1.50"	.30 kg	KSet Design 2016 Geasable Bush	
B57-44-42	\$ 58	2.251"	1.760"	1.65"	.34 kg	Case D55626	
B57-44-44	\$ 70	2.252"	1.756"	1.75"	.35 kg	KSet Design 2004 Plain Bush	
B57G44G45	\$ 73	2.251"	1.756"	1.75"	.36 kg	KSet Design 2012 Greasable Bush	
B57-44-50	\$ 48	2.251"	1.764"	1.97"	.39 kg	KSet Design 2004 Plain Bush	
B57-44-51	\$ 70	2.252"	1.756"	2.00"	.40 kg	CAT 953 Plain Bush	
B57G44G51	\$ 78	2.252"	1.756"	2.00"	.39 kg	KSet Design 2018 Greasable Bush	
B57G44G57	\$ 79	2.252"	1.756"	2.25"	.44 kg	KSet Design 2004 Greasable	
B57G44-59	\$ 74	2.251"	1.758"	2.34"	T	CAT-950-Bush-J 10w Ext Groove 7K0085	
B57-44-60	\$ 82	2.252"	1.756"	2.37"	.48 kg	KSet Design 2009 Plain Bush	
B57G44G60	\$ 85	2.251"	1.755"	2.37"	.46 kg	KSet Design 2005 Greasable	
B57G44G63	\$ 78	2.251"	1.757"	2.46"	.49 kg	Caterpillar compatible 2K4504	
B57-44-70	\$ 64	2.250"	1.760"	2.75"	.53 kg	Case Construction D121845	
B57G44G70	\$ 98	2.252"	1.756"	2.75"	.53 kg	KSet Design 2013 Greasable	
B57G44G76	\$ 99	2.252"	1.756"	3.00"	.58 kg	KSet Design 2011 Greasable	
B57-44-80	\$ 98	2.258"	1.753"	3.13"	.64 kg	CAT615,623 Scrapers 8J6535	
B57T44-104	\$ 82	2.250"	1.755"	4.10"	.79 kg	307186A1 K9x20° New 580SK-Bush-J	
B60-44-51	\$ 68	2.376"	1.756"	2.00"	.51 kg	KSet Design 2006 Plain Bush	
B64-44-51	\$ 72	2.502"	1.756"	2.00"	.66 kg	KSet Design 2005 Plain Bush	
B64-44-63	\$ 63	2.502"	1.758"	2.50"		KSet Design 2003 Plain Bush	
B64G44G63	\$108	2.502"	1.758"	2.50"	.77 kg	KSet Design 2005 Greasable Bush	
B64G44G76	\$120	2.502"	1.756"	3.00"		KSet Design 2019 Greasable Bush	
B66-44-160	\$140	2.617"	1.763"	6.30"		KSet Design 2016 Plain Bush	

Dimensions shown are for the KSet Precision Bush, not for similar OEM bush.

### Imperial Steel Bushes

All Australian made for John Deere backhoe  
Caterpillar grader bearings  
John Deere Bushings  
Case 580 Backhoe Loaders  
Case 4-in-1 bucket  
Vic Wheel Loader spare parts  
Global Steel Bushes Suppliers  
Hardened Steel Sleeve  
Hard Steel Bushings Online  
Hardened Steel Sleeve  
Farm equipment hard bushes  
Qld Hardened Steel Bushings  
Hard Steel Bush Suppliers  
Massey Backhoe bushes

### KSet helpful tips Repairs to

Replacing backhoe pins and bushings  
John Deere scraper parts  
Excavator Pin & Bush Supplier  
Inch Bushings for American backhoe  
Excavator bucket bushings and pins  
Hydraulic Ram Eye bushings  
Pneumatic cylinder bushes  
Broadacre tillage implement  
Hard steel bushes  
Industrial bushings for agricultural use

### BUSHINGS

Quantity Discounts Available only upon request at point of sale provided all outstanding invoices are settled within 7 Days

Disc. for 10 of any line item \$5 ea  
Disc. for 20 of any line item \$6 ea  
Disc. for 30 of any line item \$8 ea  
Disc. for 40 of any line item \$10 ea

Wholesale Prices shown for \$170 Minimum order

Retail: POA \$130 Min order

Plus freight & GST. All prices subject to change without notice

# Case Hardened Bushes - Precision Ground

## Suit 45mm Diameter Shaft

KSet Part No.	Price EX GST	Outside	Inside	Length	Manufacture Notes	Locations
B50G45G45	\$ 55	50.07mm	45.10mm	45.0mm	.13kg KSet Design 2013	Greasable
B50-45X45	\$ 72	50.05mm	45.10mm	45.0mm	.13kg Atlas Copco	Bf8 3177 0074 00
B50-45-56	\$ 70	50.07mm	45.10mm	56.0mm	.17kg KSet Design 2009	Plain Bush
B52-45-35	\$ 50	52.07mm	45.13mm	35.0mm	.17kg KSet Design 2021	Plain Bush
B52-45-40	\$ 67	52.07mm	45.13mm	40.0mm	.17kg KSet Design 2017	Plain Bush
B55G45G25	\$ 46	55.05mm	45.15mm	25.0mm	.15kg Kubota 161 Bucket Cylinder	Ram End
B55-45-30	\$ 48	55.05mm	45.15mm	30.0mm	.19kg Kubota KX161-3SS	Plain Bush
B55-45-35	\$ 54	55.05mm	45.15mm	35.0mm	.20kg 404 326 000 404 323 102 = B45-35g35	
B55G45G35	\$ 60	55.05mm	45.15mm	35.0mm	.20kg KSet Design 2004	Greasable Bush
B55-45X36	\$ 72	55.05mm	45.13mm	36.0mm	.22kg Kubota KX161-3SS-Bush-HL	Bf8
B55G45G39	\$ 51	55.07mm	45.15mm	38.8mm	.23kg Yanmar	VIO 50-Bush-HL
B55-45-40	\$ 56	55.11mm	45.28mm	40.0mm	.25kg John Deere	T76639
B55-45-41	\$ 58	55.10mm	45.15mm	40.0mm	.25kg KSet Design 2004	Plain Bush
B55G45G40	\$ 62	55.05mm	45.13mm	40.0mm	.24kg Yanmar	VIO 50-Bush-G
B55-45X40	\$ 74	55.11mm	45.15mm	40.0mm	.24kg IHI50VX-Bush-HL,I,J,K	O/Bf8
B55G45X40	\$ 74	55.11mm	45.15mm	40.0mm	.23kg KSet Design 2017	Bf8
B55F45-42	\$ 38	55.03mm	45.15mm	42.0mm	Flange Bush F63Øx5	3501770 M2
B55-45G45	\$ 60	55.06mm	45.13mm	44.8mm	.27kg 01743-10405 PC45-1-D,E	KY045-H
B55-45X45	\$ 74	55.05mm	45.13mm	44.8mm	.27kg Kubota KX045-Bush-HL	Bf8
B55G45G45	\$ 64	55.07mm	45.13mm	44.8mm	.26kg 19000-46502 SK045-G,HR	07144-10405
B55G45X45	\$ 76	55.05mm	45.13mm	44.8mm	.27kg Komatsu	20T-70-71870
B55-45X46	\$ 68	55.05mm	45.13mm	45.0mm	.27kg Komatsu	O/Bf8 20T-70-71880
B55G45G50	\$ 75	55.05mm	45.13mm	50.0mm	.30kg Yanmar	VIO 50-Bush-HR
B55G45X50	\$ 86	55.07mm	45.14mm	50.0mm	.30kg Kubota Closed Fig8 groove	KX045-Bush-R
B55-45X51	\$ 74	55.06mm	45.13mm	51.0mm	.30kg 20T-70-71250	Open Fig8 grv PC45-Bush-F
B55-45G55	\$ 60	55.05mm	45.13mm	55.0mm	.35kg Furukawa	22337811-11130
B55G45G55	\$ 76	55.06mm	45.15mm	55.0mm	.33kg KSet Design 2005	Greasable Bush
B55-45-60	\$ 76	55.07mm	45.15mm	60.0mm	.37kg Kubota	KX161-Bush-J
B55G45G60	\$ 80	55.05mm	45.13mm	60.0mm	.39kg KSet Design 2005	Greasable Bush
B55-45X60	\$ 84	55.10mm	45.16mm	60.0mm	.37kg Yanmar	O/B fig8 groove VIO 50-Bush-I
B55G45X60	\$ 88	55.10mm	45.16mm	60.0mm	.37kg KSet Design 2017	Bf8
B55G45X65	\$ 96	55.10mm	45.16mm	65.0mm	.40kg KSet Design 2019	Bf8
B55F45X65	\$156	55.07mm	45.18mm	65.0mm	Flange 99.7 N10.5 R55x5.5	VIO 50-Bush-J
B55G45G66	\$ 88	55.05mm	45.18mm	66.0mm	.39kg John Deere	R81850, R84376
B55G45X70	\$118	55.09mm	45.17mm	70.0mm	.41kg KSet Design 2019	Bf8
B56-45-40	\$ 62	56.05mm	45.13mm	40.0mm	.27kg KSet Design 2008	Plain Bush
B56-45-50	\$ 74	56.05mm	45.13mm	50.0mm	.34kg KSet Design 2008	Lineborer Bush
B56G45G50	\$ 78	56.05mm	45.13mm	50.0mm	.33kg KSet Design 2010	Greasable
B58-45-34	\$ 48	58.10mm	45.29mm	34.0mm	.29kg CAT Bearing	9R0411
B58-45-40	\$ 60	58.10mm	45.26mm	39.9mm	.34kg CAT 428 Backhoe	9R0147
B58-45-50	\$ 74	58.08mm	45.25mm	49.9mm	.43kg CAT 428 Backhoe	9R0140
B60G45G40	\$ 82	60.09mm	45.14mm	40.0mm	.37kg KSet Design 2013	Greasable Bush
B60G45G50	\$ 82	60.08mm	45.13mm	50.0mm	.47kg KSet Design 2013	Greasable Bush
B60G45G60	\$ 90	60.07mm	45.13mm	60.0mm	.57kg KSet Design 2002	Greasable Bush
B61G45G40	\$ 68	61.04mm	45.15mm	40.0mm	.41kg KSet Design 2018	Greasable Bush
B62-45-42	\$ 64	62.10mm	45.15mm	42.0mm	.47kg Hitachi	EX122, EX60UR
B62G45G55	\$ 80	62.05mm	45.15mm	55.0mm	.60kg KSet Design 2006	Greasable Bush
B65G45G65	\$102	65.10mm	45.14mm	65.0mm	.87kg KSet Design 2012	Greasable Bush
B68G45G55	\$105	68.08mm	45.15mm	55.0mm	.87kg Atlas Copco 104, T1D	912873 4400

Dimensions shown are for the KSet Precision Bush, not for similar OEM bush.

### Correct Material for Backhoe Bush

What type of steel to machine bucket bush for a backhoe or bushings for an excavator from ?

### KSet Bushings

are machined from low carbon hollow bar such as Ovako 280 or 20MnV6 Manganese Vanadium Steel

**Wear Hardness** is added to the surface of the bush by Furnace **Case Hardening Quenched and Tempered** to 59-61 Hardness Rockwell C at 200 degrees Celcius

### Engineered Bushing Applications

Bucket, Arm and Cylinder Joints of excavators and wheel loaders Heavy Load Joints. Boom Foot Boom Cylinder Foot Boom Cylinder Ram Eye Excavator Pivot Points Replacement of Bronze Bushes Replace Fibre Bushes Lineboring Rebuilds

### BUSHINGS

Quantity Discounts Available only upon request at point of sale provided all outstanding invoices are settled within 7 Days

Disc. for 10 of any line item \$5 ea  
Disc. for 20 of any line item \$6 ea  
Disc. for 30 of any line item \$8 ea  
Disc. for 40 of any line item \$10 ea

**Wholesale Prices shown for \$170 Minimum order**

**Retail: POA \$130 Min order**

Plus freight & GST. All prices subject to change without notice

# Case Hardened Bushes - Precision Ground

## Suit 50mm Diameter Shaft

KSet Part No.	Price EX GST	Outside	Inside	Length	Manufacture Notes	Locations
B55-50-24	\$56	55.17mm	50.17mm	24.0mm	.11 kg Thin Wall Hardened Steel	Plain Bush
B55G50G50	\$73	55.05mm	50.17mm	50.0mm	.16 kg Case Hardened Steel	20MnV6
B55G50G60	\$84	55.05mm	50.17mm	60.0mm	.19 kg Thin Wall	Greasable Bush
B58-50-20	\$38	58.04mm	50.23mm	19.9mm	.11 kg Case Hardened	Global Bush
B58-50-30	\$45	58.05mm	50.10mm	30.0mm	.16 kg Case Hardened	Laser Bush
B60-50-15	\$34	60.01mm	50.01mm	15.0mm	.13 kg AVO Australian made Steel Bush	Tight Clearance
B60-50-19	\$36	60.02mm	50.22mm	18.5mm	.13 kg Case 580K Australian made Steel Bush	D129272
B60-50-20	\$50	60.03mm	50.12mm	20.0mm	.14 kg Case Hardened	Retrofit Bush
B60-50-26	\$47	60.03mm	50.18mm	25.6mm	.17 kg Case D140029	580SK-Bush-H,I
B60-50-27	\$40	60.00mm	50.26mm	26.5mm	.19 kg Case 580K Backhoe Steel Bush	E176226
B60-50-28	\$52	60.12mm	50.09mm	27.0mm	Tight Clearance	J Deere T154277
B60-50-30	\$52	60.01mm	50.22mm	30.0mm	.20 kg Case 580K Loader Hardened Steel Bush	D127542
B60-50G30	\$54	60.01mm	50.01mm	30.0mm	.13 kg AVO Australian made Steel Bush	Tight Clearance
B60-50-33	\$48	60.01mm	50.23mm	33.0mm	.22 kg Case 580 SLE	D150608
B60-50-34	\$45	60.03mm	50.12mm	34.0mm	.23 kg Bearing Sleeve	Plain Bush
B60G50G35	\$50	60.09mm	50.13mm	35.0mm	.23 kg KSet Designed 2019	Greasable Bush
B60-50-36	\$54	60.01mm	50.20mm	36.0mm	.24 kg Case 580K Loader	D137345
B60-50X36	\$78	60.10mm	50.15mm	36.0mm	.23 kg Kobelco Bf8	SK060-Bush Z-HL
B60-50-38	\$60	60.11mm	50.13mm	38.0mm	.26 kg Matbro	33948/001
B60-50G38	\$49	60.10mm	50.15mm	38.0mm	.26 kg Internal Groove	KY045-Bush-H
B60-50-40	\$56	60.01mm	50.18mm	40.0mm	.27 kg 580SK-Bush-C,D,E	D141555
B60G50G40	\$60	60.07mm	50.17mm	39.8mm	.26 kg WA420-Bush-S	707-76-5024
B60-50-45	\$50	60.01mm	50.23mm	45.0mm	.31 kg Case 580K	E176478
B60G50G45	\$68	60.10mm	50.15mm	45.0mm	.30 kg 075 225 321	Greasable Bush
B60G50X45	\$76	60.09mm	50.15mm	45.0mm	.29 kg KSet Design 2011 Bf8	Steel Bush Factory
B60-50-46	\$62	60.05mm	50.11mm	46.0mm	.31 kg Case Hardened	Plain Bush
B60-50-50	\$64	60.10mm	50.15mm	50.0mm	.34 kg Matbro 504217	Telehandler Bush
B60-50G50	\$64	60.10mm	50.12mm	50.1mm	.34 kg Komatsu D65-15 No Holes	07143-10505
B60-50X50	\$84	60.07mm	50.12mm	49.7mm	.35 kg PC45 707-76-50040	550901-12230 Bf8 PC60-7-G
B60G50G50	\$72	60.05mm	50.13mm	50.0mm	.35 kg 201-70-64270 PC60-K	Sandvik 20803308
B60G50X50	\$88	60.10mm	50.13mm	50.0mm	707-76-50471	PC45-1-Bush-B Bf8
B60-50X51	\$78	60.10mm	50.15mm	50.1mm	.35 kg 20T-70-71250 o/Bf8	SK045,060-Bush-A,I,F
B60G50G53	\$60	60.00mm	50.27mm	52.4mm	.35 kg Case	180427A1
B60-50-54	\$56	60.05mm	50.18mm	54.1mm	D138047	580SK-Bush-D,HDL
B60-50-55	\$68	60.10mm	50.15mm	55.0mm	Kubota	KX161-Bush-F
B60G50G55	\$70	60.06mm	50.15mm	54.9mm	Furukawa	352831-11130
B60G50G59	\$78	60.05mm	50.13mm	59.3mm	.39 kg For Sandvik bush	Tamrock 20797408
B60G50G60	\$78	60.05mm	50.13mm	60.0mm	.40 kg IHI 975 228 423	SK045-Bush-C
B60G50X60	\$90	60.05mm	50.16mm	60.0mm	.38 kg Yanmar	VI050-Bush-B,C Bf8
B60-50-61	\$52	60.01mm	50.01mm	60.0mm	.13 kg AVO Australian made Bush	Tight Clearance
B60G50G64	\$80	60.11mm	50.12mm	64.0mm	.45 kg Furukawa	341611-15120
B60G50X65	\$98	60.07mm	50.18mm	64.8mm	.45 kg PC45-Bush-A	20T-70-71140
B60G50G69	\$80	60.07mm	50.14mm	69.8mm	.49 kg 416-70-11810	WA180-Bush-L,K,J
B60-50-70	\$85	60.10mm	50.13mm	70.0mm	.50 kg KSet Design 2004	Plain Bush
B60G50G70	\$87	60.13mm	50.13mm	70.0mm	.49 kg 707-76-50371	WA120-Bush-E
B60G50X70	\$108	60.13mm	50.16mm	70.0mm	.47 kg Matbro 37452/012	Figure 8 Groove KSet
B60G50X74	\$94	60.07mm	50.14mm	74.3mm	.49 kg Kobelco	Bf8 SK060-Bush-HR

**Where to buy new pins and bushes other than dealer?**  
KSet Engineering bushes are guaranteed new

**KSet Bushings** are machined from low carbon hollow bar such as Ovako 280 or 20MnV6 Manganese Vanadium Steel **Wear Hardness** is added to the surface of the bush by Furnace **Case Hardening** **Quenched and Tempered** at 200 degrees Celcius to 59 - 61 Hardness Rockwell C

### Engineered Bushing Applications

Bucket, Arm and Cylinder Joints of excavators and wheel loaders.  
Heavy Load Joints. Boom Foot Boom Cylinder Foot Boom Cylinder Ram Eye Excavator Pivot Points Replace Bronze Bushes Line Borer Rebuilds Atlas Copco Drill JUMBO Sandvik Jumbo Drill parts Bobcat skid steer loader bucket bushes Sandvik Jumbo bushings Boulder Kalgoorlie

### BUSHINGS

Quantity Discounts Available only upon request at point of sale provided all outstanding invoices are settled within 7 Days  
Disc. for 10 of any line item \$5 ea  
Disc. for 20 of any line item \$6 ea  
Disc. for 30 of any line item \$8 ea  
Disc. for 40 of any line item \$10 ea

**Wholesale Prices shown for \$170 Minimum order**

**Retail: POA \$130 Min order**

Plus freight & GST. All prices subject to change without notice

Bushes for 50mm Diameter Shaft Continued next Page...

# Case Hardened Bushes - Precision Ground

## Suit 50mm Diameter Shaft

KSet Part No.	Price EX GST	Outside	Inside	Length		Manufacture Notes	Locations
B60-50X75	\$104	60.11mm	50.18mm	74.6mm	.49 kg	Yanmar	O/BF8 V10 50-Bush-A,F
B60G50X75	\$105	60.10mm	50.13mm	75.0mm	.49 kg	Tight Clearance	Matbro 37452/011
B60G50G98	\$102	60.10mm	50.30mm	98.0mm	.69 kg	John Deere	T76309
B60-50N98	\$116	60.10mm	50.30mm	98.0mm	.66 kg	Bush	Internal Helical Groove
B60-50N110	\$135	60.04mm	50.06mm	110 mm	.74 kg	Bush	Internal Helical Groove
B61-50N110	\$ 90	60.50mm	50.06mm	110 mm	.72 kg	Bush	Internal Helical Groove
B61G50X50	\$ 80	61.12mm	50.20mm	50.0mm		KSet Design 2003	37452/001
B61G50G60	\$ 75	61.05mm	50.13mm	60.0mm	.44 kg	KSet Design 2009	Greasable
B62-50-50	\$ 85	62.10mm	50.16mm	50.0mm		KSet Design 2006	Plain Bush
B62-50-60	\$ 80	62.05mm	50.25mm	60.0mm		Custom Part 2023	Plain Bush
B63-50-24	\$ 52	63.07mm	50.07mm	23.5mm	.21 kg	KSet Design 2003	Plain Bush
B63G50G40	\$ 68	63.06mm	50.12mm	40.0mm	.36 kg	Externally Greasable	9R0204
B63G50G50	\$ 70	63.05mm	50.12mm	50.0mm	.45 kg	KSet Design 2001	Greasable Bush
B63-50X52	\$ 92	63.05mm	50.07mm	52.0mm	.46 kg	KSet Design 2005	Fig. 8 Groove
B63G50G75	\$ 88	63.05mm	50.12mm	75.0mm	.70 kg	KSet Design 2001	Greasable Bush
B65-50G35	\$ 63	65.07mm	50.15mm	35.0mm	.37 kg	Case W14B-Bush-J	L112479
B65G50G45	\$ 74	65.11mm	50.14mm	45.0mm	.45 kg	KSet Design 2011	Greasable Bush
B65G50X47	\$ 84	65.10mm	50.15mm	47.0mm	.46 kg	Kobelco	SK060-Bush-K Bf8
B65-50X48	\$ 82	65.05mm	50.15mm	47.8mm	.50 kg	201-70-72210	201-70-22141 PC60, 75-Bush-I
B65-50-50	\$ 80	65.08mm	50.16mm	50.0mm	.53 kg	Case CX75 SR	Aftermarket Bushing
B65-50-55	\$ 80	65.12mm	50.11mm	55.0mm	.59 kg	KSet 2003	502550
B65F50X56	\$148	65.10mm	50.18mm	56.0mm		Flange 95 Ø	SK060, SK075-Bush-J
B65-50-60	\$ 86	65.07mm	50.11mm	60.0mm	.65 kg	KSet Design 2007	Plain Bush
B65G50G60	\$ 90	65.11mm	50.15mm	60.0mm	.63 kg	KSet Design 2004	Greasable Bush
B65-50-65	\$ 82	65.13mm	50.11mm	65.0mm	.67 kg	KSet 2004	501701
B65G50G65	\$104	65.11mm	50.15mm	65.0mm	.65 kg	KSet Design 2012	Greasable Bush
B65G50G70	\$105	65.13mm	50.11mm	70.0mm	.72 kg	KSet 2009	501707
B65F50X73	\$138	65.04mm	50.21mm	73.0mm	.88 kg	Flange 86x6	20X-70-22140 PC60,75UU-Bush-J
B65G50G75	\$114	65.08mm	50.13mm	75.0mm	.78 kg	KSet 2004	502582
B65G50X84	\$120	65.08mm	50.13mm	84.0mm	.80 kg	Kobelco Aftermarket	SK060-Bush-G
B65G50G95	\$144	65.11mm	50.13mm	95.0mm		KSet 2001	501712, 502994
B67-50R24	\$ 20	2.625"	50.20mm	24.0mm		Case 580K	G108689
B67-50R30	\$ 30	2.625"	50.20mm	30.0mm		580SK-Bush-H,R	G108525
B67-50-40	\$ 50	2.625"	50.20mm	40.0mm	.48 kg	Case	580SK-Bush-D,C
B67-50R46	\$ 36	2.625"	50.20mm	46.0mm		580SK-Bush-D,E,G	G108417

## Heavy Wall Bushes for 50mm Diameter Shaft

B70-50-26	\$ 45	70.01mm	50.18mm	25.6mm	.37 kg	580SK-Bush-IA	D141249
B70-50R30	\$ 35	70.00mm	50.20mm	30.0 mm		Recessed	Case580K D135075
B70-50-34	\$ 45	70.01mm	50.18mm	34.0 mm	.51 kg	580SK-Bush-EX	D141389
B70-50-36	\$ 46	70.00mm	50.20mm	36.0 mm		Case 580K	D136574
B70-50R38	\$ 30	70.00mm	50.26mm	38.0 mm		Recessed	Case580K D127196
B70-50R40	\$ 35	70.00mm	50.26mm	40.0 mm		Recessed	Case580K E176155
B70-50-40	\$ 62	70.06mm	50.16mm	40.0 mm	.66 kg	KSet Design 2018	Suit 40mm Plate
B70-50-45	\$ 60	70.05mm	50.18mm	45.0 mm	.66 kg	KSet Design 2015	Plain Bush
B70G50G50	\$ 82	70.05mm	50.15mm	50.0 mm		KSet Design 2006	Greasable Bush
B70-50-54	\$ 70	70.01mm	50.19mm	54.0 mm	.81 kg	580SK-Bush-D,E,G	D137217
B70-50G60	\$ 86	70.05mm	50.15mm	60.0 mm	.89 kg	KSet Design 2007	Internal Groove
B70G50G60	\$ 96	70.05mm	50.15mm	60.0 mm	.89 kg	KSet Design 2011	Greasable Bush
B70-50-78	\$124	70.01mm	50.20mm	78.3 mm		580SK-Bush-C	D145080

### Correct Material for Bushings

What type of steel to machine bucket bushes for a backhoe or bushings for an excavator from ?

### KSet Bushings

are machined from low carbon hollow bar such as Ovako 280 or 20MnV6 Manganese Vanadium Steel

**Wear Hardness** is added to the surface of the bush by Furnace **Case Hardening Quenched and Tempered** to 59 - 61 Hardness Rockwell C at 200 degrees Celsius

### Engineered Bushing Applications

Bucket, Arm and Cylinder Joints of excavators and wheel loaders Heavy Load Joints. Boom Foot Boom Cylinder Foot Boom Cylinder Ram Eye Excavator Pivot Points Replacement of Bronze Bushes Replace Fibre Bushes Lineboring Rebuilds

### BUSHINGS

Quantity Discounts Available only upon request at point of sale provided all outstanding invoices are settled within 7 Days

Disc. for 10 of any line item \$5 ea

Disc. for 20 of any line item \$6 ea

Disc. for 30 of any line item \$8 ea

Disc. for 40 of any line item \$10 ea

**Wholesale Prices shown for \$170 Minimum order**

**Retail: POA \$130 Min order**

Plus freight & GST. All prices subject to change without notice



# Case Hardened Bushes - Precision Ground

## Suit 2 inch Diameter Shaft

KSet Part No.	Price EX GST	Outside	Inside	Length		Manufacture Notes	Locations
B57G51G32	\$ 55	2.252"	2.003"	1.25"	.13 kg	KSet Design 2006	Greasable Bush
B57G51G38	\$ 60	2.252"	2.004"	1.50"	.15 kg	KSet Design 2019	Greasable Bush
B57-51-45	\$ 60	2.252"	2.007"	1.75"	.19 kg	Massey Ferguson	862691M1
B57G51G45	\$ 56	2.252"	2.004"	1.75"	.18 kg	KSet Design 2011	Greasable Bush
B57-51-50	\$ 62	2.252"	2.005"	2.00"	.21 kg	KSet Design 2011	Plain Bush
B57G51G57	\$ 80	2.252"	2.003"	2.25"	.24 kg	KSet Design 2000	Greasable Bush
B57G51G64	\$ 84	2.252"	2.004"	2.50"	.26 kg	KSet Design 2011	Greasable Bush
B60-51-22	\$ 36	2.377"	2.007"	0.88"	.14 kg	Case 1155D	Plain Bush
B60-51-32	\$ 55	2.377"	2.007"	1.25"	.20 kg	Bearing Sleeve	4J6374
B60-51-38	\$ 60	2.377"	2.007"	1.50"	.24 kg	KSet Design 2000	Plain Bush
B60G51G38	\$ 63	2.377"	2.007"	1.50"	.23 kg	KSet Design 2011	Greasable Bush
B60-51-44	\$ 64	2.377"	2.006"	1.74"	.28 kg	KSet Design 2010	Plain Bush
B60G51G44	\$ 58	2.377"	2.006"	1.75"	.27 kg	KSet Design 2011	Greasable Bush
B60-51-50	\$ 70	2.377"	2.006"	2.00"	.31 kg	CAT 953	Bearing for 1J2087
B60G51G50	\$ 70	2.377"	2.006"	2.00"	.32 kg	KSet Design 2010	Greasable Bush
B60G51G51	\$ 45	2.365"	1.997"	2.00"	.32 kg	John Deere	T41953
B60G51X59	\$ 70	2.379"	2.008"	2.34"	.38 kg	CAT <b>Offset groove</b> 2:6:39.7 12W Ext	2G7387
B60G51G60	\$ 76	2.378"	2.006"	2.37"	.38 kg	CAT Grader	Greasable Bush
B60G51G64	\$ 85	2.378"	2.006"	2.50"	.41 kg	CAT Grader	Greasable 2G7388
B60G51G69	\$ 84	2.380"	2.009"	2.74"	.44 kg	CAT <b>Offset groove</b> 4:6:23.5 12W Ext	2G8738
B60G51N110	\$120	60.03mm	2.002"	110mm	.67 kg	Sugar Cane Trailer	Greasable
B64-51-19	\$ 38	2.501"	2.009"	0.74"	.17 kg	Case 1155D	D33659
B64-51-22	\$ 38	2.501"	2.009"	0.88"	.20 kg	Case	D33678
B64-51-25	\$ 64	2.502"	2.004"	0.98"	.22 kg	Eimco	A2U130-194385
B64-51-26	\$ 58	2.502"	2.007"	1.00"	.23 kg	KSet Design 2003	Plain Bush
B64F51-26	\$ 58	2.501"	2.004"	1.00"	.25 kg	Flange 71.5x4.25	A2U130-194392
B64-51-28	\$ 38	2.501"	2.007"	1.12"	.25 kg	Case 590 Bush	135249A1
B64-51-29	\$ 38	2.501"	2.009"	1.13"		Case 1155D Bush	D38943
B64-51-32	\$ 58	2.501"	2.009"	1.25"	.27 kg	Case	D30756
B64F51-32	\$ 70	2.502"	2.003"	1.26"	.31 kg	Flange:F71.5Øx4.2 Eimco	A2U220-194400
B64G51G33	\$ 60	2.505"	2.009"	1.30"	.31 kg	20MnV6 Bearing Steel	Cat 2G8635
B64G51G34	\$ 66	2.504"	2.008"	1.34"	.31 kg	KSet Design 2004	Greaseable Bush
B64-51-35	\$ 48	2.502"	2.008"	1.38"	.33 kg	Case D43946	7J9351
B64G51-35	\$ 40	2.503"	2.008"	1.37"	.31 kg	6S3459, 3G4704	Cyl Brg 4 holes
B63F51-35	\$ 24	2.493"	2.006"	1.38"		Flange 70x5	J Deere T58218
B64-51G36	\$ 54	2.503"	2.002"	1.42"	.34 kg	DMS Stg Cyl 10wGroove	5580003850
B63-51-37	\$ 40	2.490"	2.000"	1.50"	.34 kg	John Deere	U43635
B64-51-37	\$ 62	2.501"	2.006"	1.50"		Case 580 Super L	135248A1
B64-51-38	\$ 56	2.501"	2.009"	1.50"	.34 kg	Case	D31142
B64G51G38	\$ 60	2.502"	2.007"	1.50"	.32 kg	KSet Design 2000	Greasable Bush
B64-51-39	\$ 50	2.502"	2.006"	1.50"	.34 kg	KSet 2007 Plain Bush	Cat 6S3463
B64-51-40	\$ 49	2.502"	2.007"	1.59"	.36 kg	CAT 966 Bucket	6K4076

Dimensions shown are for the KSet Precision Bush, not for similar OEM bush.

Bushes for 2 inch Diameter Shaft continued next page

**Where to buy new pins and bushes other than dealer?**  
KSet Engineering bushes are guaranteed new

**KSet Bushings** are machined from low carbon hollow bar such as Ovako 280 or 20MnV6 Manganese Vanadium Steel **Wear Hardness** is added to the surface of the bush by Furnace **Case Hardening** **Quenched and Tempered** at 200 degrees Celcius to 59 - 61 Hardness Rockwell C

### Engineered Bushing Applications

Bucket, Arm and Cylinder Joints of excavators and wheel loaders.  
Heavy Load Joints. Boom Foot  
Boom Cylinder Foot  
Boom Cylinder Ram Eye  
Excavator Pivot Points  
Replace Bronze Bushes  
Replace Fibre Bushes  
Atlas Copco Drill JUMBO  
Sandvik Jumbo Drill parts  
Pins and bushes for heavy equipment  
Sandvik Jumbo bushings  
Boulder Kalgoorlie Next Day

### BUSHINGS

Quantity Discounts Available only upon request at point of sale provided all outstanding invoices are settled within 7 Days

Disc. for 10 of any line item \$5 ea  
Disc. for 20 of any line item \$6 ea  
Disc. for 30 of any line item \$8 ea  
Disc. for 40 of any line item \$10 ea

**Wholesale Prices shown for \$170 Minimum order**

**Retail: POA \$130 Min order**

Plus freight & GST. All prices subject to change without notice

# Case Hardened Bushes - Precision Ground

## Suit 2 inch Diameter Shaft

KSet Part No.	Price EX GST	Outside	Inside	Length		Manufacture Notes	Locations
B64G51G42	\$ 58	2.502"	2.007"	1.63"	.36 kg	KSet Design 2000	Greasable Bush
B64-51G43	\$ 60	2.503"	2.002"	1.69"	.37 kg	DMS 2011 10wGroove	Internal Groove
B64G51G43	\$ 65	2.504"	2.008"	1.69"	.36 kg	KSet Design 2019	Greasable Bush
B64G51G44	\$ 68	2.504"	2.008"	1.75"	.38 kg	KSet Design 2013	Greasable Bush
B64-51-45	\$ 67	2.503"	2.006"	1.75"	.40 kg	KSet Was B63-51-45	Suits 3J3185
B64G51G47	\$ 72	2.503"	2.006"	1.86"	.42 kg	Greased Externally	Suits 7K9639
B64-51G48	\$ 62	2.503"	2.007"	1.88"	.42 kg	CAT950-Bush-Top-L	7K0084
B64-51G50	\$ 64	2.502"	2.009"	1.97"	.44 kg	Type U Bush	6W9172
B64-51-52	\$ 76	2.502"	2.007"	2.00"	.46 kg	Canadian Machinery	5G2186
B64G51G51	\$ 74	2.502"	2.007"	2.00"	.44 kg	Case Aftermarket	D33032
B64-51-54	\$ 74	2.501"	2.009"	2.13"	.48 kg	Case 1155D	Suit Pin R48922
B64-51G59	\$ 69	2.504"	2.007"	2.34"	.52 kg	CAT 950-Bush-Lever	7K0087
B64-51-60	\$ 84	2.502"	2.006"	2.37"	.54 kg	KSet Design 2009	Plain Bush
B64G51G60	\$ 72	2.503"	2.007"	2.37"	.51 kg	CAT 955L Bucket	7K9549
B64-51G63	\$ 78	2.502"	2.006"	2.48"	.56 kg	Cat Compatible	Groove inside only 2K4509
B64G51G63	\$ 88	2.502"	2.007"	2.50"	.55 kg	KSet Design 2000	Greasable Bush
B64-51-68	\$ 80	2.5025"	2.001"	2.69"	.60 kg	Close Fit	Suit CAT 256899
B64G51G70	\$ 92	2.502"	2.008"	2.75"	.61 kg	KSet Design 2003	Greasable Bush
B64G51-72	\$ 94	2.503"	2.006"	2.83"	.64 kg	Caterpillar, to suit 4 x 6 Ø holes	7K9644
B64G51G76	\$ 118	2.502"	2.010"	3.00"	.66 kg	KSet Design 2006	Greasable Bush
B64G51G78	\$ 80	2.503"	2.007"	3.10"		Type I 4 x 6 Ø holes	for 7K9572
B64G51G79	\$ 80	2.503"	2.009"	3.11"	T 4x6	CAT936Bkt/Link	4V2873, 4V3619
B64F51G87	\$ 190	2.500"	2.006"	3.44"		Flange	76.2Ø x 4.75 wide
B64G51G89	\$ 124	2.501"	2.004"	3.50"	.78 kg	Greasable Bush	Use for 3K0868
B64G51G101	\$ 134	2.504"	2.008"	4.00"	.89 kg	Standen Ripper	Was B63G51G101
B65G51X54	\$ 92	65.08mm	2.005"	2.12"	.53 kg	KSet Design 2007	Figure 8 Groove
B65G51X60	\$ 106	65.08mm	2.005"	2.36"	.59 kg	KSet Design 2020	Figure 8 Groove
B65G51X76	\$ 110	65.08mm	2.005"	3.00"	.74 kg	KSet Design 2007	Figure 8 Groove
B65-51X100	\$ 146	65.09mm	2.010"	3.94"	.99 kg	KSet Murray Welding	Bf8 Trailer Bush
B67G51N44R	\$ 120	2.626"	2.000"	1.75"	.45 kg	Applied Bush	Recessed both sides

## Heavy Wall Bushes for 2" Diameter Shaft

B70-51-39	\$ 68	2.753"	2.009"	1.50"	.55 kg	KSet Design 2008	Plain Bush
B70-51-41	\$ 50	2.752"	2.013"	1.61"	.57 kg	Case Backhoe	D50698
B70-51-45	\$ 58	2.753"	2.010"	1.75"		CatD9R	Bearing, Blade
B70G51G51	\$ 110	2.752"	2.006"	2.00"	.70 kg	KSet Design 2001	Greasable Bush
B70-51-60	\$ 72	2.751"	2.010"	2.36"	.85 kg	Case Aftermarket	D91241
B70-51-61	\$ 58	2.752"	2.010"	2.37"	.86 kg	CatD9R	Bearing, Blade
B70-51-63	\$ 96	2.752"	2.009"	2.50"	.90 kg	KSet Design 2001	Greasable Bush
B70G51G76	\$ 102	2.752"	2.010"	3.00"	1.03 kg	KSet Design 2009	Greasable Bush

## Spherical Bearings Caterpillar Compatible

SB81g51g44	\$ 62	3.189"	2.000"	1.75"		Cat966-Bush-S	9M1328
SB81g51g45	\$ 60	3.189"	1.998"	1.75"		Cat972-Bush-S	6V5002



Dimensions shown are for the KSet Precision Bush, not for similar OEM bush.

### Engineered Bushes

Bucket, Arm and Cylinder Joints of excavators and wheel loaders  
Heavy Load Joints. Boom Foot  
Boom Cylinder Foot  
Boom Cylinder Ram Eye  
Excavator Pivot Points  
Replacement of Bronze Bushes  
Replace Fibre Bushes  
Opencut Cylinder Bush  
Concrete Recycling Plant  
Rock Crusher  
Mobile Jaw Crushers  
Mobile Impact Crushers  
Mobile Screeners  
Hammer Mill Shafts  
Underground Cylinder Bush  
aftermarket Tamrock bush  
Adaptable Steel Bush for Bronze  
Traxcavator Replacement Bush  
Tree Harvester Attachment Bush  
Log Grapple Bush  
Australia Grabs & Grapple Bush  
Rotator Pins and Bushes  
Rotator Link Bush  
Forestry Attachment Bush  
NZ Industrial Bushings  
NZ Forestry Attachment  
Loader Log Grab  
Forest Harvesting Attachment  
Tasmania Industrial Supplies  
NSW Laser Earthworks  
Gippsland Sawmills

### BUSHINGS

Quantity Discounts Available  
only upon request at point of sale  
provided all outstanding invoices  
are settled within 7 Days  
Disc. for 10 of any line item \$5 ea  
Disc. for 20 of any line item \$6 ea  
Disc. for 30 of any line item \$8 ea  
Disc. for 40 of any line item \$10 ea

Wholesale Prices  
shown for \$170  
Minimum order

Retail: POA  
\$130 Min order

Plus freight & GST. All prices  
subject to change without notice

# Case Hardened Bushes - Precision Ground

## Suit 55mm Diameter Shaft

<u>KSet Part No.</u>	<u>Price</u> EX GST	<u>Outside</u>	<u>Inside</u>	<u>Length</u>		<u>Manufacture Notes</u>	<u>Locations</u>
B65-55-26	\$ 55	65.10mm	55.15mm	26.0mm	.20kg	Case Back Hoe	Plain Bush
B65-55-35	\$ 62	65.10mm	55.15mm	35.0mm	.26kg	Massey Ferguson	Plain Bush
B65G55G40	\$ 72	65.05mm	55.07mm	40.0mm	.29kg	Bushing 4x3mm Holes Sandvik	34483978
B65-55-44	\$ 68	65.10mm	55.14mm	44.4mm	.33kg	KSet Design 2009	Plain Bush
B65-55X45	\$ 90	65.10mm	55.15mm	45.0mm	.34kg	Kubota O/Bf8	KX045-Bush-F
B65-55-50	\$ 72	65.10mm	55.17mm	50.0mm	.36kg	KSet Design 2000	Plain Bush
B65G55G50	\$ 76	65.10mm	55.17mm	50.0mm	.35kg	KSet Design 2016	Greasable Bush
B65-55-55	\$ 67	65.09mm	55.11mm	55.0mm	.39kg	John Deere	T67855
B65G55G65	\$112	65.07mm	55.19mm	65.0mm	.46kg	John Deere	R82076
B65G55X65	\$130	65.10mm	55.13mm	65.0mm	.47kg	KX045-Bush-A	SK045-Bush-B
B65G55G75	\$ 94	65.07mm	55.12mm	75.0mm	.55kg	John Deere	R84378
B65G55G82	\$ 75	65.07mm	55.30mm	82.0mm		John Deere	R82075
B68-55G45	\$ 58	68.08mm	55.13mm	44.8mm	.43kg	WA470-Bush-S-Cyl	707-76-55520
B68G55G45	\$ 64	68.08mm	55.07mm	44.8mm	.43kg	WA470-Bush-S-Rod	707-76-55120
B68G55G50	\$ 72	68.05mm	55.08mm	50.0mm	.47kg	KSet Design 2000	Greasable Bush
B68-55X55	\$ 80	68.05mm	55.10mm	54.8mm	.52kg	707-76-55180 Bf8	PC60-7-Bush-D
B68G55X55	\$ 94	68.05mm	55.11mm	54.9mm	.52kg	KSet Design 2016	Greasable Bush
B68G55X65	\$110	68.06mm	55.12mm	65.0mm	.64kg	Takeuchi 00024-00075	TB135-Bush-A

## Suit 55mm Diameter Shaft

<u>KSet Part No.</u>	<u>Price</u> EX GST	<u>Outside</u>	<u>Inside</u>	<u>Length</u>		<u>Manufacture Notes</u>	<u>Locations</u>
B70-55-26	\$ 52	70.11mm	55.19mm	25.4mm	.30kg	KSet Design 2013	Plain Bush
B70-55-36	\$ 84	70.11mm	55.19mm	36.0mm	.41kg	KSet Design 2007	Plain Bush
B70G55G55	\$ 96	70.05mm	55.11mm	55.0mm	.61kg	KSet Design 2008	Greasable Bush
B70G55X60	\$122	70.06mm	55.16mm	60.0mm	.62kg	Case	CX75SR-Bush-H
B70G55G70	\$106	70.05mm	55.18mm	70.0mm	.79kg	Greasable Bush	Yanmar
B70G55X90	\$168	70.05mm	55.18mm	90.0mm	1.02kg	KSet Design 2019	Greasable Bush
B75G55G55	\$128	75.05mm	55.18mm	55.0mm	.90kg	KSet Design 2023	Greasable Bush
B75G55G70	\$138	75.05mm	55.18mm	70.0mm	1.08kg	KSet Design 2017	Greasable Bush
B75G55X90	\$174	75.05mm	55.18mm	90.0mm	1.37kg	KSet Design 2019	Bucket Bush

"We find that KSet bushes are in stock almost 100% of the time."

**Prices shown are for \$170 Minimum Wholesale Order, Plus freight & GST.**

**Orders below this amount are Retail, POA and \$130 minimum.**

**All prices subject to change without notice**

Dimensions shown are for the KSet Precision Bush, not for similar OEM bush.

**Engineers Supplies**  
KSet Bushes are supplied to  
Brisbane Hydraulic Cylinder  
Repairs  
Qld Heavy Fabrication  
Pin & Bush Manufacturer  
Brisbane Line boring  
Rapid Bulldozer Ram Repairs  
Excavator Pivot Points  
Adelaide Equipment Overhaul  
Adelaide Construction  
Equipment  
Rockhampton Heavy  
Equipment Bush  
Earthmoving Bucket Bush  
Goldfields Equipment Bushes  
Stawell Mining Bushes  
Quarry Loader Pins  
Hard Rock Mining Bushes  
Replacement of Bronze  
Bushes Bronze Bearings  
Replace Fibre Bushes  
Atlas Copco Drill Bush  
Sandvik Jumbo Drill Bush  
Pins and bushes for  
heavy equipment  
Sandvik Jumbo bushings  
Waratah harvester bushes  
Pins Waratah harvester

Canada Steel Bushes  
3 day delivery to Canada  
KSet hardened steel bush  
Leave KSet Wednesday  
Arrive Canada Friday

### NZ Pin Steel

KSet hardened steel bush  
Leave KSet Monday  
Arrive New Zealand  
Wednesday

### BUSHINGS

Quantity Discounts Available  
only upon request at point of sale  
provided all outstanding invoices  
are settled within 7 Days

Disc. for 6 of any line item \$5 ea  
Disc. for 10 of any line item \$8 ea  
Disc. for 20 of any line item \$10 ea

# Case Hardened Bushes - Precision Ground

## Suit 2.25" Diameter Shaft

KSet Part No.	Price EX GST	Outside	Inside	Length	Manufacture Notes	Locations
B64G57G51	\$ 84	2.503"	2.254"	2.00"	Boom Swing Cyl	Suit Bucyrus MD5125
B65-57-43	\$ 58	65.10mm	57.15mm	43.0mm	.26kg Claas	Light Wall Bush
B67-57-39	\$ 62	2.629"	2.267"	1.54"	Cat D11	6J7175
B67-57-50	\$ 66	2.630"	2.267"	1.97"	.39kg Cat D11 Mod	1J2192 Shortened
B67-57-55	\$ 56	2.630"	2.267"	2.16"	Caterpillar D11	Lift Cyl
B67-57-76	\$ 76	2.630"	2.267"	3.00"	.57kg Caterpillar D11	Nose Cone 1J2192
B70-57-26	\$ 44	2.754"	2.256"	1.00"	KSet Design 2003	Plain Bush
B70-57-28	\$ 40	2.751"	2.260"	1.13"	Case 1155D	D52579
B70-57-30	\$ 55	2.755"	2.257"	1.18"	.31kg Case 580K	D127167
B70-57-32	\$ 57	2.754"	2.257"	1.25"	.32kg Eimco Step 2.743"Øx3	913 3059243
B70-57-38	\$ 60	2.754"	2.256"	1.50"	.38kg Previously	Part No. B70-57-37
B70G57G38	\$ 64	2.753"	2.256"	1.50"	.38kg KSet Design 2019	Ram Eye Bush
B70-57-41	\$ 76	2.754"	2.257"	1.63"	.41kg Eimco Step 2.743"Øx3	913 3059268
B70-57-48	\$ 74	2.753"	2.260"	1.88"	.49kg Cat950-Bush-D,E	7J9699
B70-57-50	\$ 82	2.753"	2.261"	1.97"	.49kg Cat980G-Bush-S	8P0420
B70G57G51	\$ 90	2.752"	2.256"	2.00"	.50kg KSet Design 2005	Greasable Bush
B70-57-54	\$ 72	2.752"	2.259"	2.12"	.55kg Cat 953	Bearing
B70-57-57	\$ 64	2.754"	2.257"	2.25"	.57kg Eimco Step 2.743"Øx3	913 3059276
B70G57G60	\$ 90	2.753"	2.257"	2.37"	.58kg Greasable Bush	4V8643
B70-57-63	\$104	2.754"	2.256"	2.50"	.59kg KSet 2013	Plain Bush 3J9133
B70-57-54	\$ 86	2.752"	2.261"	2.50"	.64kg Cat 988B	Internal groove Stg 9J5875
B70-57-70	\$ 94	2.754"	2.256"	2.75"	.68kg Eimco 913 3059250	use for 5J2445
B70G57G70	\$ 98	2.753"	2.257"	2.75"	.68kg KSet Design 2004	Greasable Bush
B76-57-43	\$ 68	3.001"	2.259"	1.70"	.67kg Case Hardened steel bush imperial	D90722
B76-57-54	\$ 79	3.002"	2.256"	2.12"	.86kg Caterpillar	6K2702
B76-57-70	\$108	3.002"	2.258"	2.75"	1.09kg KSet Design 2000	Plain Bush
B76G57G70	\$110	3.002"	2.258"	2.75"	1.09kg KSet Design 2019	Greasable Bush
B76G57X100	\$182	3.003"	2.256"	3.94"	1.50kg Lineborer Bushing	Greasable
B79G57G70	\$110	3.126"	2.257"	2.75"	KSet Design 2005	Greasable Bush

## Spherical Bearings Caterpillar Compatible

SB91G57G50	\$ 65	3.564"	2.254"	1.97"	CAT980-Bush-S	5J1446
------------	-------	--------	--------	-------	---------------	--------



Prices shown are for \$170 Minimum Wholesale Order, Plus freight & GST.

Orders below this amount are Retail, POA and \$130 minimum.

All prices subject to change without notice

Dimensions shown are for the KSet Precision Bush, not for similar OEM bush.

**Engineers Supplies**  
KSet Bushes are supplied to  
Brisbane Hydraulic Cylinder  
Repairs  
Qld Heavy Fabrication  
Pin & Bush Manufacturer  
Brisbane Line boring  
Rapid Bulldozer Ram Repairs  
Excavator Pivot Points  
Adelaide Equipment Overhaul  
Adelaide Construction  
Equipment  
Rockhampton Heavy  
Equipment Bush  
Earthmoving Bucket Bush  
Goldfields Equipment Bushes  
Stawell Mining Bushes  
Quarry Loader Pins  
Hard Rock Mining Bushes  
Replacement of Bronze  
Bushes Bronze Bearings  
Replace Fibre Bushes  
Atlas Copco Drill Bush  
Sandvik Jumbo Drill Bush  
Pins and bushes for  
heavy equipment  
Sandvik Jumbo bushings  
Waratah harvester bushes  
Pins Waratah harvester

Canada Steel Bushes  
3 day delivery to Canada  
KSet hardened steel bush  
Leave KSet Wednesday  
Arrive Canada Friday

### Pin Steel New Zealand

KSet hardened steel bush  
Leave KSet Monday  
Arrive New Zealand  
Wednesday

### BUSHINGS

Quantity Discounts Available  
only upon request at point of sale  
provided all outstanding invoices  
are settled within 7 Days

Disc. for 6 of any line item \$5 ea  
Disc. for 10 of any line item \$8 ea  
Disc. for 20 of any line item \$10 ea

# Case Hardened Bushes - Precision Ground

## Suit 60mm Diameter Shaft

KSet Part No.	Price EX GST	Outside	Inside	Length		Manufacture Notes	Locations
B65-60X55	\$ 98	65.07mm	60.10mm	55.0mm	.22kg	Atlas Copco	0500 4520 03
B68-60X65	\$108	68.07mm	60.16mm	65.0mm	.40kg	KSet Design 2012	Bf8 Bushing
B70G60G28	\$ 54	70.13mm	60.17mm	28.0mm	.21kg	John Deere	T70723
B70G60G30	\$ 64	70.10mm	60.15mm	30.0mm	.22kg	KSet Design 2009 Hydraulic Cylinder	
B70-60-35	\$ 64	70.07mm	60.15mm	35.0mm	.28kg	KSet Design 2012	Plain Bush
B70G60G35	\$ 48	70.07mm	60.15mm	35.0mm	.25kg	Hydraulic Cylinder	Bushing
B70-60-38	\$ 66	70.07mm	60.15mm	38.0mm	.32 kg	KSet Design 2006	Plain Bush
B70G60G45	\$ 77	70.08mm	60.15mm	45.0mm	.35 kg	KSet Design 2018	Greasable Bush
B70-60-50	\$ 70	70.08mm	60.13mm	50.0mm		KSet Design 2013	Plain Bush
B70G60G50	\$ 92	70.07mm	60.15mm	50.0mm	.383kg	KSet Design 2009	Greasable
B70G60X50	\$ 94	70.07mm	60.11mm	50.0mm	.38kg	341811-11310	341811-11160
B70G60G60	\$ 90	70.07mm	60.17mm	60.0mm	.47kg	KSet 2001	36267
B70G60X60	\$110	70.10mm	60.13mm	60.0mm	.46kg	KSet Design 2009	Closed Fig.8
B70F60-60	\$112	70.05mm	60.20mm	60.0mm	.53kg	Flange 80x7 502298	FBL-10 Steering
B70G60X65	\$120	70.06mm	60.13mm	64.9mm	.50kg	Kobelco	SK045-Bush-TD,SL
B70G60G70	\$104	70.07mm	60.13mm	70.0mm	.55kg	KSet Design 2000	Greasable Bush
B70G60X70	\$120	70.10mm	60.14mm	70.0mm	.55kg	KSet Design 2018	Linebore Bush
B70G60G75	\$115	70.20mm	60.35mm	74.7mm	.58kg	XC Design 2022	910324861
B70G60X75	\$116	70.10mm	60.13mm	75.0mm	.58kg	KSet 2004	37452/013
B70G60X80	\$125	70.10mm	60.13mm	80.0mm	.61kg	Kobelco	SK220-Bush-HR
B70G60G85	\$115	70.05mm	60.12mm	85.0mm	.70kg	B5X Boom Cyl	Greasable Bush
B70G60X90	\$142	70.10mm	60.13mm	90.0mm	.69kg	KSet 2003	37452/002
B70G60X100	\$158	70.09mm	60.13mm	100.0mm	.78kg	KSet 2003	37452/008
B71-60X50	\$ 88	71.44mm	60.01mm	50.2mm	.45kg	Eimco	A2U936-194288 Of8
B71-60X59	\$ 92	70.44mm	60.07mm	59.1mm	.48kg	Eimco	A2U936-194295 Of8
B72-60X35	\$ 68	72.02mm	60.08mm	35.0mm	.33kg	K&H Bush	K5X15° Of8 x 2
B72-60X36	\$ 40	72.02mm	60.26mm	35.0mm		Line Boring	Internal figure 8
B72G60G50	\$ 85	72.05mm	60.15mm	50.0mm	.50kg	Kubota KX71	68311-4113-0
B72G60G60	\$ 98	72.05mm	60.15mm	60.0mm	.56kg	Kubota KX71	68311-4112-0
B72G60X75	\$138	72.06mm	60.16mm	75.0mm	.67kg	Bearing Sleeve	Lineboring Bush
B73G60X43	\$ 98	73.13mm	60.15mm	43.0mm	.97kg	Kawasaki KLD85Z2	O/Bf8
B73G60G50	\$ 72	73.10mm	60.15mm	50.0mm		KSet Design 1999	Greasable Bush
B73G60X55	\$108	73.13mm	60.15mm	55.0mm	.57kg	KLD80Z2-Bush-L,K	Bf8
B73G60G89	\$120	73.07mm	60.15mm	89.0mm		KSet Design 2019	Greasable Bush
B73-60X93	\$139	73.13mm	60.15mm	93.0mm	.97kg	Kawasaki KLD85Z2 Bkt	Bf8
B75G60G28	\$ 52	75.06mm	60.10mm	28.0mm	.21kg	Line Boring	Greasable Bush
B75-60-30	\$ 64	75.08mm	60.12mm	30.0mm		Hardened & Ground	Plain Bush
B75-60-35	\$ 68	75.08mm	60.12mm	34.8mm		4365897	EX120-Bush-G (2)
B75G60G35	\$ 80	75.05mm	60.15mm	35.0mm	.42 kg	KSet Design 2001	Greasable Bush
B75G60G49	\$ 90	75.05mm	60.05mm	49.8mm	.60 kg	Komatsu	WA500-Bush-S

Dimensions shown are for the KSet Precision Bush, not for similar OEM bush.

Bushes to suit 60 Ø shaft continued next page.....

### Australian Made Bushes KSet Bushes Ex Stock

Next Day Delivery Australia-wide and New Zealand  
Precision Ground bushes  
Case-Hardened bushing  
Industrial quality bushes  
Available for Agricultural Machinery and Broadacre machinery refurbishment to heavy industry standards

KSet Bushes for Cotton Harvester Machinery NSW  
Australian Farm Innovations Farm Implement Upgrading  
KSet Bushes for Trailer Repair  
Industrial upgrade to farm Trailers, Buckets & Clyinders

KSet Bushes for Tree Harvester Attachments  
Log Grapple Bush  
Australia Grabs and Grapples  
Rotator Pins and Bushes  
Forestry Attachment Bush  
NZ Industrial Bushings  
Wheel Loader Log Grab  
Volvo Loader Arm & Grab  
Forest Harvesting Attachment  
Tasmania Industrial Supplies

### BUSHINGS

Quantity Discounts Available  
only upon request at point of sale  
provided all outstanding invoices  
are settled within 7 Days

Disc. for 6 of any line item \$5 ea  
Disc. for 10 of any line item \$8 ea  
Disc. for 20 of any line item \$10 ea

Wholesale Prices  
shown for \$170  
Minimum order

Retail: POA  
\$130 Min order

Plus freight & GST. All prices  
subject to change without notice

# Case Hardened Bushes - Precision Ground

## Suit 60mm Diameter Shaft...Continued

KSet Part No.	Price EX GST	Outside	Inside	Length		Manufacture Notes	Locations
B75G60G50	\$ 90	75.05mm	60.15mm	50.0mm	.60 kg	20X-70-24150 PC60,75UU-Bush-HL	
B75G60X50	\$ 112	75.05mm	60.15mm	49.9mm	.60 kg	Komatsu Ext Groove +Of8/Bf8	PC60-Bush-F
B75G60G55	\$ 98	75.09mm	60.15mm	55.0mm		Kobelco	SK220-Bush-HL
B75G60G59	\$ 100	75.05mm	60.14mm	59.0mm	.72 kg	Sandvik	133 912 38
B75-60-60	\$ 97	75.05mm	60.12mm	60.0mm	.74 kg	KSet Design 2000	Plain Bush
B75-60X60	\$ 108	75.05mm	60.15mm	59.6mm	.72 kg	Komatsu	PC60-7-Bush-C,E Bf8
B75G60G60	\$ 102	75.05mm	60.17mm	60.0mm	.72 kg	Hydraulic Cylinder Bush	003926-27
B75G60X60	\$ 118	75.06mm	60.16mm	59.8mm		07144-10606 PC60,75UU-Bush-HR	707-76-60080
B75G60X61	\$ 118	75.09mm	60.11mm	60.0mm		Caterpillar compatible	229-1095
B75-60G65	\$ 88	75.10mm	60.20mm	64.8mm	.78 kg	421-70-11860	Hardened Bush
B75G60G65	\$ 104	75.05mm	60.12mm	65.0mm	.78 kg	KSet Design 2001	Greasable Bush
B75G60G66	\$ 90	75.14mm	60.18mm	65.0mm	.78 kg	Heavy press fit	6E3535
B75G60X65	\$ 122	75.10mm	60.13mm	65.0mm	.77 kg	KSet Design 2004	Int. Fig 8 groove
B75-60X69	\$ 98	75.10mm	60.18mm	68.7mm	.83 kg	203-70-56150	of8 PC120-Bush-I
B75G60G69	\$ 84	75.13mm	60.20mm	69.0mm	Kobelco	YY12B01448P1 11WGrooves	SK135-Bush-I
B75G60X69	\$ 118	75.13mm	60.20mm	70.0mm	.84 kg	Kobelco	SK135-2-Bush-I Of8
B75G60X70	\$ 134	75.09mm	60.20mm	70.0mm	.84 kg	Kobelco S000240031 Bf8	SK035 Sw Frame
B75G60X71	\$ 124	75.11mm	60.18mm	70.0mm	.84 kg	Kobelco	Of8 SK220-Bush-J,K
B75F60X72	\$ 220	75.12mm	60.23mm	71.5mm	1.17 kg	Flange 113Ø YW12B01036P1	SK115SR-Bush-J
B75G60X75	\$ 144	75.10mm	60.13mm	75.0mm	.90 kg	KSet Design 2012	Closed fig.8 groove
B75G60X79	\$ 140	75.10mm	60.15mm	79.0mm	.96 kg	Kawasaki	Bf8 KLD80Z1
B75-60X80	\$ 118	75.08mm	60.18mm	80.0mm	.95 kg	Kobelco Open Fig 8 groove	SK220-Bush-I
B75G60X80	\$ 138	75.07mm	60.10mm	80.0mm	.96 kg	KSet Design 2015	Bf8 Cylinder Bush
B75G60G85	\$ 116	75.05mm	60.11mm	85.0mm	1.03 kg	KSet Design 2000	Greasable
B75F60X87	\$ 175	75.15mm	60.20mm	86.8mm	1.84 kg	203-70-42182 Flange Of8	PC120-Bush-J
B75G60X90	\$ 130	75.11mm	60.15mm	89.8mm	1.09 kg	203-70-56160	of8 PC120-Bush-K
B75G60X106	\$ 172	75.13mm	60.16mm	105.9mm	1.29 kg	Kawasaki KLD80Z1	Bf8
B76G60G50	\$ 76	76.25mm	60.15mm	50.0mm		Imperial Outside	OD = 3.002"
B79G60X62	\$ 110	79.05mm	60.15mm	62.0mm	.96 kg	Kawasaki	Bf8 KLD85Z2
B80-60-40	\$ 87	80.10mm	60.14mm	40.0mm	0.68 kg	KSet Design 2014	Plain Bush
B80G60G65	\$ 134	80.10mm	60.14mm	65.0mm	1.08 kg	KSet Design 2005	Greasable Bush
B80G60G70	\$ 136	80.10mm	60.14mm	70.0mm	1.16 kg	KSet Design 2018	Greasable Bush
B80G60X75	\$ 182	80.10mm	60.14mm	75.0mm	1.22 kg	KSet Design 2020	Greasable Type J
B80G60G80	\$ 180	80.10mm	60.14mm	80.0mm	1.33 kg	KSet Design 2012	Greasable Bush
B84G60N155	\$ 140	84.0mm	60.18mm	155.0mm	1.33 kg	Hardened	Inside Only
B85G60G72	\$ 160	85.05mm	60.15mm	71.8mm	1.61 kg	KSet For Atlas Copco	9124 8810 00
B88G60G68	\$ 162	88.12mm	60.14mm	68.0mm	1.74 kg	KSet For Atlas Copco	9128 7345 00

## Bushes for 2.5" Ø Shaft

B75-64-65	\$ 98	75.07mm	2.506"	65.00mm	.65 kg	Metric / Imperial	Cat320D Drop Link
B76-64-22	\$ 30	3.000"	2.514"	0.90"	.25 kg	Special OD	Plain Bush
B76-64-26	\$ 60	3.003"	2.508"	1.00"	.28 kg	Case	D33635
B76-64-32	\$ 60	3.003"	2.506"	1.25"	.35 kg	Replaces B76-64-31	Marketplace Part
B76-64-33	\$ 45	3.003"	2.506"	1.30"	.35 kg	CAT	7K9686

Bushes to suit 2 1/2" Ø shaft continued next page.....

### BUSHINGS

Quantity Discounts Available  
only upon request at point of sale  
provided all outstanding invoices  
are settled within 7 Days  
Disc. for 6 of any line item \$5 ea  
Disc. for 10 of any line item \$8 ea  
Disc. for 20 of any line item \$10 ea

# Case Hardened Bushes - Precision Ground

## Bushes to Suit 2.5 inch Diameter Shaft

KSet Part No.	Price EX GST	Outside	Inside	Length		Manufacture Notes	Locations
B76-64-34	\$ 70	3.010"	2.510"	1.34"	.36 kg	CAT D11 Bush	7T9014
B76-64-35	\$ 70	3.003"	2.519"	1.38"	.37 kg	CAT Cyl 623E	6J6043
B76-64-38	\$ 77	3.004"	2.506"	1.50"	.42 kg	CAT 920	7J9745
B76G64G38	\$ 84	3.004"	2.506"	1.50"	.38 kg	Western Australia	4 x 5 Ø holes
B76G64-40	\$ 92	2.990"	2.5004"	1.56"		Suit Cat D6R/T	4K3128
B76-64-41	\$ 68	3.005"	2.509"	1.61"		John Deere	T54081
B76-64G44	\$ 56	3.004"	2.510"	1.75"		CAT950	Bkt / Link 7J9344
B76G64G44	\$ 86	3.004"	2.510"	1.75"		Caterpillar compatible	8J5778
B76-64-47	\$ 84	3.004"	2.504"	1.86"		Eimco	A2U913-194031
B76-64-50	\$ 66	3.003"	2.506"	1.98"		Caterpillar compatible	7K9528
B76-64G50	\$ 82	3.003"	2.506"	1.98"		CAT955 for 2K4506	B76-64G51 = 7K9590
B76-64-51	\$ 96	3.002"	2.506"	2.00"	.54 kg	JOY	1069127-224
B76G64G51	\$ 98	3.002"	2.506"	2.00"	.53 kg	KSet Design 2010	Greaseable Bush
B76-64-55	\$ 88	3.005"	2.507"	2.17"	.56 kg	D11 Bush	Aftermarket Caterpillar 3P6431
B76G64G56	\$ 92	3.003"	2.506"	2.23"	.59 kg	CAT988	7K9529, 7K0078, 2K4442, 7K9985
B76-64-57	\$ 68	3.002"	2.506"	2.25"	.62 kg	KSet Design 2003	Plain Bush
B76G64G57	\$ 82	3.004"	2.510"	2.25"	.60 kg	7J9732	B76-64G57 V Ident.Groove 7K0078
B76-64-60	\$ 80	3.003"	2.506"	2.36"		CAT 955 Bkt / Link	5K7995
B76-64G63	\$ 84	3.003"	2.507"	2.46"	.68 kg	CAT Bkt / Link	2K4507
B76-64-64	\$ 96	3.006"	2.521"	2.52"		CAT	8J9910
B76-64G65	\$ 82	3.003"	2.510"	2.56"		CAT 936	Bearing
B76G64G65	\$102	3.002"	2.506"	2.56"	.69 kg	Standen	HSB 192
B76G64G69	\$ 76	3.004"	2.510"	2.74"		CAT 980A Bkt / Link	7J9731
B76-64-70	\$ 88	3.003"	2.509"	2.75"		JOY	1069127-411
B76G64G70	\$112	3.002"	2.506"	2.75"	.74 kg	KSet Design 2003	Greaseable Bush
B76-64G75	\$ 92	3.003"	2.507"	2.97"	.81 kg	CAT980	4K0300
B76G64G75	\$124	3.003"	2.507"	2.97"	.77 kg	63177	11W Ext CAT977K Bkt/Link Brg
B76G64G76	\$144	3.002"	2.509"	3.00"	.78 kg	KSet Design 2008	Greaseable Bush
B76-64N80	\$188	3.004"	2.504"	3.15"	.80 kg	Jug-A-0	0505-10008
B76G63G84	\$108	3.002"	2.506"	3.31"	.90 kg	HSB 193	Standen Rippers
B76G64G84	\$138	3.004"	2.508"	3.31"	.90 kg	KSet 2023	10mm Ext.Groove J Deere T50063
B76-64-89	\$128	3.004"	2.507"	3.50"		KSet Design 2004	Plain Bushing
B76G64G89	\$130	3.004"	2.508"	3.50"	.95 kg	Sandvik MD5125	Feed Dump Rod Eye
B76G64G95	\$136	3.003"	2.509"	3.75"	T	5V1874	CAT950, 960, 962-Bush-J
B76G64G102	\$156	3.002"	2.509"	4.00"	1.09 kg	KSet Design 2009	Greaseable Bush
B76-64H108	\$110	3.003"	2.504"	4.25"		A2U913-194033	Step 75.7 Ø x5 Eimco
B76G64G109	\$158	3.002"	2.509"	4.30"		4V8675	CAT966G,972GH-Bush-J
B76-64-116	\$138	3.003"	2.504"	4.58"	1.30 kg	A2U913-194073	Step 75.7 Ø x5 Eimco
B76-64H116	\$ 94	3.003"	2.504"	4.58"		A2U913-194035	Step 75.7 Ø x5 Eimco
B76-64H117	\$102	3.003"	2.504"	4.58"	1.21 kg	A2U913-194072	Step 75.7 Ø x5 Eimco
B76-64H138	\$102	3.003"	2.504"	5.43"	1.21 kg	A2U913-194038	Step 75.7 Ø x5 Eimco
B77G64G114	\$150	3.037"	2.507"	4.50"	1.31 kg	Plus-size O.D.	Greaseable Bush
B79-64-51	\$102	3.128"	2.507"	2.00"	.70 kg	JOY	1069127-459
B79G64G76	\$122	3.128"	2.508"	3.00"	1.10 kg	KSet Design 2006	Greaseable Bush
B80G64G50	\$ 82	80.10mm	2.505"	1.97"	0.65 kg	KSet Design 2011	Greaseable Bush
B82G64G63	\$110	3.252"	2.505"	2.50"	1.06 kg	KSet Design 2001	Loader Bush
B82G64G76	\$128	3.252"	2.508"	3.00"	1.28 kg	KSet Design 2005	Excavator Bush
B82G64G102	\$186	3.252"	2.508"	4.00"	1.71 kg	Excavator Bush	Greaseable
B89G64G89	\$205	3.503"	2.507"	3.50"	2.12 kg	KSet Design 2020	Line Borers Bush

Dimensions shown are for the KSet Precision Bush, not for similar OEM bush.

Frequently Asked Questions:  
Where in New Zealand can I buy ready-made hardened steel bushes / bushings?  
**KSet Engineering Pty Ltd** has 50,000 bushes in 1,250 different sizes available EX STOCK.  
Next Day Delivery to New Zealand

**BUSHINGS**  
Quantity Discounts Available only upon request at point of sale provided all outstanding invoices are settled within 7 Days  
Disc. for 6 of any line item \$5 ea  
Disc. for 10 of any line item \$8 ea  
Disc. for 20 of any line item \$10 ea

**Wholesale Prices shown for \$170 Minimum order**

**Retail: POA \$130 Min order**  
Plus freight & GST. All prices subject to change without notice

# Case Hardened Bushes - Precision Ground

## Suit 65mm Diameter Shaft

KSet Part No.	Price EX GST	Outside	Inside	Length	Manufacture Notes	Locations
B73-65G60	\$ 88	73.13mm	65.15mm	60.3mm .41 kg	Plain OD	Internal Groove
B75G65G35	\$ 74	75.10mm	65.15mm	35.0mm .36 kg	KSet Design 2009	Greaseable
B75-65-40	\$ 78	75.06mm	65.04mm	40.0mm .37 kg	KSet Design 2018	Close fit Plain
B75-65-60	\$108	75.05mm	65.15mm	60.0mm .54 kg	KSet Design 2018	Plain
B75-65X60	\$118	75.05mm	65.15mm	60.0mm .50 kg	KSet Design 2005	Type X Fig 8 Groove
B75G65G60	\$102	75.07mm	65.14mm	60.0mm	KSet Design 2012	Greaseable
B75G65G64	\$105	75.05mm	65.13mm	64.0mm .54 kg	343831-11130 Furukawa	343811-11370
B75G65X75	\$142	75.10mm	65.15mm	75.0mm .65 kg	Kobelco of8	SK220-Bush-J,K
B75G65G77	\$114	75.20mm	65.35mm	76.8mm	KSet Design 2022	for 910324858 BktCyl
B75G65G80	\$126	75.05mm	65.15mm	80.0mm .62 kg	KSet Design 2001	Greaseable
B76G65G50	\$102	76.02mm	65.08mm	50.0mm .48 kg	John Deere	T126935, T100252
B80-65-35	\$ 74	80.10mm	65.16mm	34.8mm .47 kg	4365448	EX120-Bush-HR (2)
B80-65-50	\$ 92	80.10mm	65.16mm	50.0mm	4344898S	EX120-Bush-I,J,K
B80-65X50	\$108	80.11mm	65.16mm	49.8mm .66 kg	203-70-56140	of8 PC120-Bush-HL
B80G65X50	\$114	80.13mm	65.16mm	50.0mm .65 kg	Hitachi	EX120
B80G65X55	\$104	80.06mm	65.12mm	54.5mm .69 kg	707-76-65160	WA500-Bush-S
B80G65X58	\$110	80.06mm	65.15mm	57.9mm .75 kg	707-76-65220	2Bf8 PC120-Bush-HR
B80G65G59	\$ 96	80.13mm	65.20mm	58.9mm .80 kg	YB12B01101P1 Kobelco	11wGroove SK135-Bush-K
B80G65X60	\$119	80.12mm	65.22mm	60.0mm .76 kg	CAT 311	2291092
B80G65G64	\$ 87	80.10mm	65.15mm	64.3mm Use 2	4344899, 4444914S	EX120-Bush-HL
B80-65G65	\$ 82	80.04mm	65.22mm	64.8mm .89 kg	Komatsu	WA250-Bush-J,K,L
B80G65G65	\$108	80.06mm	65.14mm	64.9mm	07144-10607 417-70-11860 418-70-11810	WA200-5CJKL
B80G65X65	\$122	80.07mm	65.16mm	64.9mm .82 kg	Komatsu Bf8	PC120-Bush-G
B80G65G69	\$112	80.14mm	65.23mm	68.9mm Kobelco	YM12B01120P1 11wGroove	SK135-Bush-HL
B80-65-70	\$118	80.12mm	65.18mm	70.0mm .92 kg	KSet Design 2016	Plain Bush
B80G65X70	\$124	80.11mm	65.19mm	70.0mm .88 kg	KSet Design 2022	For 500SP5 Greasable
B80G65G74	\$102	80.12mm	65.23mm	73.9mm Kobelco	YY12B01554P1 11wGroove	SK135-Bush-HR
B80G65G75	\$122	80.06mm	65.15mm	74.5mm 1.02 kg	KSet Design 2005	Bearing
B80G65X75	\$148	80.07mm	65.15mm	75.0mm 0.98 kg	KSet Design 2017	Bf8 Greasable Bush
B80F65X75	\$160	80.13mm	65.29mm	74.9mm	2405P472 F130x9 LP12B01030P1	SK135-Bush-J
B80G65G80	\$136	80.07mm	65.15mm	80.0mm 1.07 kg	KSet Design 2012	Greaseable Bush
B80G65G81	\$110	80.11mm	65.17mm	80.0mm 1.07 kg	CAT 311 Bearing 9wGroove	229-1091
B80G65G84	\$128	80.05mm	65.15mm	84.0mm 1.11 kg	Furukawa	353831-11130
B80G65X85	\$160	80.09mm	65.17mm	85.0mm 1.15 kg	KSet Design 2018	Closed Fig.8 Groove
B80G65G89	\$132	80.05mm	65.10mm	88.5mm 1.17 kg	Komatsu	135-30-11251
B80G65G100	\$138	80.06mm	65.16mm	99.6mm 1.37 kg	KSet Design 2007	Greaseable Bush
B80G65G112	\$154	80.07mm	65.17mm	112.0mm	KSet Design 2019	Greaseable Bush
B80G65X112	\$160	80.07mm	65.17mm	112.0mm	KSet Design 2021	Greaseable Bush
B80-65X130	\$190	80.06mm	65.15mm	129.8	707-76-65250 IntGroove35mmwide	PC60-7-Bush-B

## Heavy Wall Bushes for 65mm Ø, 2 5/8" Ø Shaft

B83G65X100	\$214	83.09mm	65.16mm	99.7mm 1.63 kg	KSet Design 2007	Bf8 Lineborer Bush
B85G65X65	\$166	85.10mm	65.16mm	65.0mm 1.17 kg	KSet Design 2015	Bf8 Lineborer Bush
B85G65X70	\$162	85.09mm	65.16mm	70.0mm 1.27 kg	Sumitomo Bf8	SH125X3-Bush-H
B90G65X70	\$158	90.09mm	65.12mm	70.0mm 1.70 kg	KSet Design 2018	Bf8 Type J Bush
B90G65X90	\$190	90.09mm	65.12mm	90.0mm 2.15 kg	KSet Design 2018	Bf8 Type J Bush
B95F65X80	\$260	95.17mm	65.30mm	80.0mm 2.41 kg	Flange Bush	Replaces 2 Kobelco
B82-67-57	\$120	3.251"	2.629"	2.25" 0.83 kg	Kobelco YY12B01446P1 + YY12B01447P1	Lightning Ridge Opal Digger

Dimensions shown are for the KSet Precision Bush, not for similar OEM bush.

### BUSHINGS

Quantity Discounts Available  
only upon request at point of sale  
provided all outstanding invoices  
are settled within 7 Days  
Disc. for 6 of any line item \$5 ea  
Disc. for 10 of any line item \$8 ea  
Disc. for 20 of any line item \$10 ea

Wholesale Prices  
shown for \$170  
Minimum order

Retail: POA  
\$130 Min order

Plus freight & GST. All prices  
subject to change without notice



# Case Hardened Bushes - Precision Ground

## Suit 70mm Diameter Shaft

<u>KSet Part No.</u>	<u>Price</u> EX GST	<u>Outside</u>	<u>Inside</u>	<u>Length</u>		<u>Manufacture Notes</u>	<u>Locations</u>
B80G70G50	\$ 94	80.07mm	70.18mm	50.0mm	.44 kg	KSet Design 2003	Greaseable Bush
B80G70X50	\$112	80.07mm	70.15mm	50.0mm	.44 kg	KSet Design 2004	Figure 8 groove
B80F70-52	\$139	80.02mm	70.10mm	51.98	.63 kg	Flange 100x7.5	Sandvik 2643 9788
B80F70X52	\$160	80.02mm	70.10mm	51.98	.62 kg	Flange 100x7.5	Sandvik 2643 9808
B80-70-60	\$118	80.07mm	70.13mm	60.0mm	.56 kg	Furukawa	352811-11230
B80-70N60	\$170	80.02mm	70.04mm	60.0mm	.54 kg	JUG-A-O For 2.75" Ø Pin	0504-10003
B80G70X60	\$142	80.10mm	70.12mm	59.7mm	.56 kg	Kobelco SK60	PY52F 010 03P1 BF8
B80-70N65	\$180	80.02mm	70.04mm	65.0mm	.58 kg	JUG-A-O For 2.75" Ø Pin	0504-10004
B80G70X65	\$140	80.10mm	70.14mm	65.0mm		Sumitomo	BF8 SH120-3-Bush-HL
B80G70X70	\$148	80.08mm	70.14mm	70.0mm	.61 kg	KSet 2017	Fig 8 groove Open one end
B80G70G75	\$122	80.07mm	70.19mm	75.0mm	.66 kg	KSet Design 2001	Greaseable Bush
B80-70-79	\$110	80.05mm	70.15mm	80.0mm	.74 kg	KSet Design 2009	Plain Bush
B80-70X80	\$130	80.05mm	70.15mm	80.0mm	.72 kg	Furukawa	353811-11190
B80G70X85	\$148	80.09mm	70.20mm	85.0mm	.75 kg	KSet Design 2009	Greasable Bush
B80G70X90	\$156	80.10mm	70.19mm	90.0mm	.80 kg	Kobelco	Aftermarket bush SK135 Offset
B80-70G104	\$132	80.07mm	70.20mm	104.0mm	.94 kg	Volvo	BM90C-Bush-J,K,L
B80G70X110	\$248	80	70	110	1 kg	KSet Design 2023	Greasable Bush
B80G70G112	\$158	80.08mm	70.20mm	112.0mm	1 kg	Volvo	KSet 2019

## Suit 2.75" Diameter Shaft

<u>KSet Part No.</u>	<u>Price</u> EX GST	<u>Outside</u>	<u>Inside</u>	<u>Length</u>		<u>Manufacture Notes</u>	<u>Locations</u>
B76-70-51	\$ 72	3.004"	2.759"	2.00"	.30 kg	1407002-T105	Bucyrus MBS
B82-70-32	\$ 56	3.253"	2.760"	1.28"	.39 kg	CAT 633 Steering Bush	4T0370
B82-70-38	\$ 85	3.253"	2.756"	1.50"	.44 kg	Austral	Bearing Sleeve
B82-70-45	\$ 98	3.253"	2.759"	1.75"	.52 kg	CAT 920	8E6752
B82G70G45	\$ 68	3.253"	2.756"	1.75"	.52 kg	KSet Design 2019	Was Type U for 7J9365
B82G70-56	\$ 68	3.253"	2.760"	2.20"	.62 kg	CAT936-Bkt/Link	4V2883
B82-70-57	\$ 85	3.253"	2.756"	2.25"	.70 kg	CAT983-Bush-F	8K7618, 7J9374
B82-70G57	\$ 44	3.252"	2.758"	2.23"	.70 kg	CAT950-Bush-A	7K0086
B82-70-60	\$ 69	3.252"	2.757"	2.37"		CAT Blade Bearing	3G9598
B82G70G60	\$ 71	3.252"	2.757"	2.37"	.67 kg	KSet Design 2011	Greasable Bush
B82-70-61	\$ 64	3.257"	2.759"	2.37"		CAT315-Bush-F (4)	6A7099
B82G70G64	\$ 68	3.253"	2.760"	2.50"	.71 kg	3G5285 Bearing-Sleeve	for Caterpillar
B82-70G69	\$ 68	3.252"	2.757"	2.72"		6K6043 Bearing-Sleeve	for Caterpillar
B82-70-70	\$ 94	3.254"	2.751"	2.75"	.86 kg	KSet Design 2005	Static fit Bush
B82G70G70	\$104	3.252"	2.759"	2.75"		CAT953-Bush-L,K	7P3466
B82-70-74	\$ 78	3.252"	2.756"	2.90"	.90 kg	CAT983	7K8114
B82G70G75	\$ 88	3.252"	2.756"	2.95"		CAT983	Bearing
B82-70-95	\$114	3.253"	2.758"	3.75"	1.11kg	Caterpillar Bearing	3G5281
B82G70G102	\$134	3.253"	2.761"	4.00"		Hydraulics	D & T

Prices shown are for \$170 Minimum Wholesale Order, Plus freight & GST.

Orders below this amount are Retail, POA and \$130 minimum.

All prices subject to change without notice

### BUSHINGS

Quantity Discounts Available  
only upon request at point of sale  
provided all outstanding invoices  
are settled within 7 Days

Disc. for 6 of any line item \$5 ea  
Disc. for 10 of any line item \$8 ea  
Disc. for 20 of any line item \$10 ea

Bushes for 70 Ø Shaft continued next page

# Case Hardened Bushes - Precision Ground

## Suit 2.75" & 70mm Diameter Shaft

KSet Part No.	Price EX GST	Outside	Inside	Length		Manufacture Notes	Locations
B83-70X44	\$ 98	83.13mm	70.14mm	44.0mm	.53kg	Kawasaki	KLD 80 Z1 B/Of8
B83-70X55	\$ 98	83.13mm	70.14mm	55.0mm	.66kg	Kawasaki	KLD 80 Z1 B/Of8
B83-70X71	\$ 75	83.10mm	70.13mm	71.0mm		Kawasaki	KLD 95 Z B/Of8
B85G70G44	\$ 96	85.10mm	70.13mm	44.0mm	.59kg	KSet Design 2002	Greasable Bush
B85-70-50	\$118	85.12mm	70.08mm	50.0mm	.44 kg	KSet Design 2018	Static Fit
B85G70X50	\$124	85.15mm	70.18mm	50.0mm	.44 kg	CAT 311	248-7835
B85G70X55	\$128	85.11mm	70.18mm	55.0mm	.73kg	404 325 400	IHI Bf8
B85G70G59	\$128	85.05mm	70.10mm	58.9mm	.80kg	20797388	Sandvik TB40 Boom Lift
B85-70G60	\$102	85.09mm	70.19mm	59.6mm	.82kg	707-76-70720	Aftermarket Komatsu
B85G70X60	\$126	85.10mm	70.12mm	59.7mm	.82kg	418-63-33140	20797388 SK045-Bush-T
B85-70G65	\$ 84	85.08mm	70.21mm	64.8mm	.83kg	418-70-11860	WA250-Bush-F
B85G70G65	\$112	85.07mm	70.24mm	64.8mm		707-76-70010	w120 Komatsu Bush
B85G70X66	\$120	85.13mm	70.18mm	66.0mm	.66kg	Kobelco	SK210-Bush-I
B85G70X67	\$128	85.15mm	70.29mm	66.8mm	.92kg	205-70-73180	Of8 PC200-Bush-HL,HR
B85G70X69	\$140	85.12mm	70.19mm	68.9mm	.93kg	21K-70-12170	B/Of8 PC200-8-Bush-I
B85-70-70	\$110	85.10mm	70.18mm	70.0mm	1.02kg	KSet Design 2004	Plain Bush
B85-70X70	\$125	85.05mm	70.20mm	69.7mm	.97kg	707-76-70240	Bf8 PC120-Bush-D,E
B85-70X71	\$122	85.15mm	70.25mm	70.0mm	.97kg	229-1096	Closed figure 8 groove
B85G70X70	\$149	85.07mm	70.15mm	70.0mm	.93kg	707-76-70230	Bf8 PC120-Bush-B,C
B85G70X75	\$140	85.10mm	70.15mm	75.0mm	1.03kg	Komatsu	PC200-Bush-HL
B85-70X77	\$142	85.15mm	70.18mm	76.5mm	1.08kg	203-70-56130	Of8 PC120-Bush-F
B85G70X78	\$132	85.07mm	70.16mm	78.0mm		707-76-70110	707-76-70120 PC200-6,7-Bush-HR
B85-70G80	\$114	85.17mm	70.20mm	80.0mm	1.14kg	CAT325, CAT330	7Y3551
B85G70X80	\$146	85.13mm	70.21mm	80.0mm	1.11kg	241-7231 CAT	Kobelco SK135 Offset
B85G70X81	\$132	85.13mm	70.28mm	80.2mm	1.11kg	21K-70-13150	Komatsu
B85G70X84	\$130	85.13mm	70.29mm	84.8mm		21K-70-41411	2xOf8 203-70-4141
B85G70G85	\$125	85.11mm	70.14mm	85.0mm	1.18kg	235-7769	CAT 320D
B85G70K85	\$158	85.12mm	70.15mm	85.0mm	1.18kg	High Performance	Cross Hatch KSet 2022
B85G70X85	\$136	85.13mm	70.16mm	84.7mm	1.18kg	203-70-56121	2xBf PC120-Bush-A
B85G70X86	\$138	85.10mm	70.19mm	85.0mm	1.19kg	205-70-71360	PC200-Bush-B,G
B85G70G86	\$110	85.08mm	70.16mm	85.8mm		707-76-70651	Komatsu Cylinders
B85G70X90	\$170	85.06mm	14070.16mm	90.0mm	1.35kg	KSet Design 2016	Closed Fig.8 Groove
B85F70X96	\$ 98	85.19mm	70.20mm	96.0mm	1.35kg	Flange bush	21K-70-22130
B85G70X97	\$168	85.05mm	70.15mm	97.0mm	1.35kg	Kato HD900	Closed Fig.8 Groove
B86-70-25	\$ 56	86.00mm	70.20mm	25.0mm	.37kg	Case 580K	E176194
B86-70-28	\$ 56	86.01mm	70.20mm	28.0mm	.40kg	Case 580K	D135559
B86-70-30	\$ 56	86.01mm	70.20mm	30.0mm	.42kg	Case 580K	D135557
B86-70-32	\$ 46	86.00mm	70.20mm	32.0mm		Case 580K SS	E176196
B86-70-34	\$ 56	86.01mm	70.20mm	34.0mm	.51kg	Case	D135558 D138042 D155073
B86G70X75	\$144	86.09mm	70.20mm	74.9mm	1.15kg	KSet 2022	Replaces oiled brass Bush
B86G70X80	\$184	86.01mm	70.18mm	80.0mm		KSet Design 2004	Line Borer Bush
B86G70G86	\$144	86.09mm	70.20mm	86.0mm		KSet 2022	For 910324895 Bush

Dimensions shown are for the KSet Precision Bush, not for similar OEM bush.

Bushes for 70 Ø Shaft continued next page

### BUSHINGS

Quantity Discounts Available  
only upon request at point of sale  
provided all outstanding invoices  
are settled within 7 Days  
Disc. for 6 of any line item \$5 ea  
Disc. for 10 of any line item \$8 ea  
Disc. for 20 of any line item \$10 ea

Wholesale Prices  
shown for \$170  
Minimum order

Retail: POA  
\$130 Min order

Plus freight & GST. All prices  
subject to change without notice

# Case Hardened Bushes - Precision Ground

## Suit 70mm Diameter Shaft

KSet Part No.	Price EX GST	Outside	Inside	Length		Manufacture Notes	Locations
B89G70G70	\$146	3.503"	2.756"	2.75"	1.26kg	Line Borer Bush	KSet Design 2004
B89G70G75	\$136	89.10mm	70.15mm	75.0mm	1.35kg	Kawasaki	KL 85 Z2
B90F70-24	\$ 38	90.00mm	70.22mm	24.0mm	.50kg	Flange 94 Ø x 4.25	D135742
B90-70-30	\$ 52	90.00mm	70.21mm	30.0mm	.60kg	Case 580K	D151060
B90-70-32	\$ 50	90.01mm	70.23mm	32.2mm	.64kg	Case D151069	580SK-Top-Pivot
B90-70R32	\$ 38	90.00mm	70.20mm	32.0mm		Case 580K 2 Recesses 80 Ø x4.3	D135555
B90F70-33	\$ 40	90.00mm	70.19mm	33.0mm	.68kg	Case D135740	580SK-Bush-AB
B90-70-38	\$ 48	90.01mm	70.19mm	37.8mm	.75kg	Case D151070	580SK-Low-Piv
B90F70-38	\$ 40	90.00mm	70.19mm	38.0mm	.77kg	Flange 94 Ø x4	D151071580SK-Bush-AB
B90-70R38	\$ 32	90.00mm	70.20mm	38.0mm		2 x Recess 80 Ø x4.3	D135556
B90F70R39	\$ 66	90.00mm	70.22mm	39.3mm		D135740 Flange 94 Ø x4	580SK-Bush-B
B90-70R40	\$ 56	90.00mm	70.33mm	40.0mm	.66kg	Case 580K 2 Recesses 80 Ø x4	E176209
B90-70-44	\$ 85	90.01mm	70.19mm	44.0mm	.87kg	Case	580SK-Bush-F
B90G70G45	\$ 84	90.09mm	70.19mm	45.0mm	.86kg	KSet Design 2018	Greasable Bush
B90-70-50	\$ 99	90.01mm	70.19mm	49.8mm		Case 580	137250A1
B90G70G55	\$108	90.06mm	70.15mm	55.0mm	1.08kg	KSet Design 2016	Greasable Bush
B90G70X60	\$134	90.09mm	70.23mm	60.0mm	1.11kg	KSet Design 2018	Greasable Bush
B90-70-63	\$104	90.02mm	70.22mm	63.2mm	1.25kg	Case 590	D151058
B90G70G69	\$136	90.06mm	70.15mm	69.0mm	1.36kg	Sandvik Rod End	for 233 30018
B90G70G80	\$136	90.10mm	70.18mm	80.0mm		KSet Design 2002	Greasable Bush
B90-70X80	\$100	90.10mm	70.18mm	80.0mm	1.60kg	Kato	HD700V2 Bush-I B/Of8
B90-70X81	\$120	90.10mm	70.18mm	80.0mm	1.60kg	Kato	HD700V2 Bush-J Bf8
B90-70X86	\$128	90.10mm	70.18mm	86.0mm	1.71kg	Kato	HD700V2 Bush-K Bf8
B90G70X86	\$190	90.10mm	70.18mm	86.0mm		Kato 237-4200 2000	800V2,900 Bush-J
B90G70X90	\$130	90.10mm	70.15mm	90.0mm	1.62kg	KSet Design 2018	Greasable Bush
B90-70X100	\$210	90.12mm	70.22mm	100.0mm		Kato	800V2,900 Bush-K
B90G70G110	\$164	90.10mm	70.20mm	110.0mm		KSet Design 2019	Greasable Bush
B92-70-51	\$ 80	92.10mm	2.756"	50.8mm	1.13kg	KSet Design 2002	Line Bore Bush
B93G70X86	\$140	93.10mm	70.17mm	86.0mm	1.91kg	KSet Design 2005	Bf8
B95G70G69	\$162	95.06mm	70.15mm	69.0mm	1.76kg	Sandvik Bushing Tube	for 344 53868
B100G70G85	\$190	100.13mm	70.11mm	85.0mm	2.59kg	KSet Design 2018	Line Bore Bush
B105G70G100	\$230	105.11mm	70.08mm	100.0mm	3.76kg	KSet Design 2004	Line Bore Bush
B108G70G70	\$186	108.11mm	70.08mm	69.77mm	2.87kg	Atlas Copco ML2D Lift Cyl Rod Eye	912873 4600
B112-70G142	\$210	112.08mm	70.23mm	142.0mm	kg	135-5553, 114-1158	Bearing, Bucket

Prices shown are for \$170 Minimum Wholesale Order, Plus freight & GST.

Orders below this amount are Retail, POA and \$130 minimum.

All prices subject to change without notice

Dimensions shown are for the KSet Precision Bush, not for similar OEM bush.

### SHORTEN BUSHES EASILY!

Code: TL-RNGN \$ 40 each plus GST  
RNRN 12 04 00T01020 670

TL6-RNGN \$ 196 for 6

Turning Insert -

- Ceramic Whisker Reinforced -



### Hard Part Turning

Code: TL-SNGN \$ 45 each plus GST  
SNGN 12 07 08T01020 670

TL6-SNGN \$ 230 for 6

Turning Insert

Ceramic Whisker Reinforced -

A silicon carbide aluminium oxide

based

ceramic with excellent bulk toughness.

Recommended for Hard Part Turning

in unfavourable conditions



### BUSHINGS

Quantity Discounts Available  
only upon request at point of sale  
provided all outstanding invoices  
are settled within 7 Days

Disc. for 6 of any line item \$5 ea

Disc. for 10 of any line item \$8 ea

Disc. for 20 of any line item \$10 ea

# Case Hardened Bushes - Precision Ground

## Suit 71mm to 3 inch Diameter Shaft

KSet Part No.	Price EX GST	Outside	Inside	Length		Manufacture Notes	Locations
B86G71X50	\$102	86.13mm	71.23mm	50.0mm	0.72kg	Hitachi	Zaxis 160-Bush-I
B86G71G65	\$ 88	86.12mm	71.20mm	65.0mm	0.94kg	3072715	EX120-Bush-F (2)
B86G71G70	\$140	86.12mm	71.20mm	70.0mm	1.01kg	4443878	ZX120-Bush-F,J (2)
B86G71G84	\$142	86.12mm	71.20mm	84.0mm	1.21kg	Hitachi	Zaxis 160-Bush-HR
B86G71G90	\$144	86.12mm	71.20mm	90.0mm	1.30kg	Hitachi	Zaxis 160-Bush-HL
B85-75-38	\$ 60	85.07mm	75.18mm	37.9mm	.38kg	Plain Bush	1x6mm Ext Chamfer
B85F75-38	\$ 68	85.12mm	75.20mm	37.9mm	.41kg	Flange 89 Ø x 4	VOE11082827
B85G75G60	\$112	85.05mm	75.15mm	60.0mm	.57kg	KSet Design 2000	Greasable Bush
B85G75X60	\$115	85.06mm	75.12mm	60.0mm	.57kg	Kobelco	SK135
B85G75X90	\$154	85.08mm	75.19mm	90.0mm	.86kg	Kobelco	SK135
B90-75-50	\$ 90	90.05mm	75.20mm	50.0mm	.77kg	KSet Design 2005	Plain Bush
B90-75X57	\$ 98	90.11mm	75.34mm	57.1mm	.83kg	Komatsu 154-78-14224 Ripper x16	D85A-18
B90-75-60	\$116	90.05mm	75.15mm	60.0mm		KSet Design 2002	Plain Bush
B90-75G64	\$ 88	90.05mm	75.26mm	64.7mm	.97kg	154-63-42320 Ram/Dozer x2	D85A-18
B90G75G65	\$130	90.08mm	75.18mm	64.7mm	.91kg	154-63-42420 Ram Eye x 2	D85A-18
B90-75G65	\$120	90.10mm	75.18mm	65.0mm	1.01kg	154-78-14223	Komatsu
B90-75G66	\$102	90.07mm	75.16mm	65.0mm	1.01kg	WA320 419-70-11871 707-76-75030	Bush-B,C
B90G75G75	\$132	90.05mm	75.15mm	75.0mm	1.12kg	385-1001-0591	Komatsu D85A-18
B90-75G80	\$128	90.09mm	75.19mm	80.0mm	1.21kg	145-63-32660	WA300-Bush-J
B90G75X80	\$162	90.12mm	75.22mm	80.0mm	1.21kg	Externally Greased Bf8	KSet Bush
B90N75G80	\$158	90.14mm	75.24mm	80.0mm	1.21kg	419-70-21810 External helical groove	WA320
B90G75G85	\$150	90.06mm	75.18mm	85.0mm	1.27kg	WA300 419-70-11820	WA320-Bush-L,K
B90G75G120	\$148	90.12mm	75.20mm	119.8mm		417-70-31820	WA200-5-Bush-F

## Heavy Wall Bushes for 75mm Diameter Shaft

B92G75G65	\$110	92.07mm	75.25mm	65.0mm	1.10kg	Hydraulic Cylinder	Greasable Bush
B95-75-55	\$104	95.05mm	75.15mm	55.0mm	1.15kg	Komatsu	D85A-18 Ripper
B95-75-68	\$ 96	95.01mm	75.10mm	67.9mm	1.43kg	Plain Bush 2016	Close Fit
B95-75-75	\$ 98	95.06mm	75.15mm	75.0mm	1.57kg	Komatsu	D85A-18 Ripper
B95G75G100	\$240	95.10mm	75.15mm	100mm	2.07kg	KSet Design 2020	Greaseable Bush
B100G75G100	\$166	100.12mm	75.15mm	100 mm	2.90kg	KSet Design 2004	Greaseable Bush

## Suit 3" Diameter Shaft

B89-76-37	\$ 76	3.503"	3.006"	1.46"	.49kg	Suit Caterpillar	3J7529
B89-76-39	\$ 82	3.503"	3.004"	1.54"	.51kg	Eimco STEP 3.48"Øx3	A2U913-194036
B89-76T40	\$ 90	3.493"	2.9985"	1.56"	Tpr	CAT950-Bush-B	Tapered 7J9694
B89-76-49	\$104	3.503"	3.004"	1.93"	.63kg	Eimco	A2U913-194037
B89G76G51	\$109	3.502"	3.006"	2.00"	.63kg	KSet Design 2001	4x5Ø Holes
B89-76-57	\$ 94	3.504"	3.006"	2.24"	.70kg	KSet Design 2003	Plain Bearing
B89-77-57	\$ 78	3.505"	3.020"	2.25"		D7G Ripper Group	3J6167
B89G76G58	\$ 80	3.503"	3.006"	2.27"	.73kg	Bush 4 x 5 Ø holes	for 7J9709

Dimensions shown are for the KSet Precision Bush, not for similar OEM bush.

Bushes for 3" Ø Shaft continued next page...

Frequently Asked Questions:  
Where in New Zealand can I buy ready-made hardened steel bushes / bushings?  
**KSet Engineering Pty Ltd** has 50,000 bushes in 1,250 different sizes available EX STOCK. Next Day Delivery to New Zealand

### BUSHINGS

Quantity Discounts Available only upon request at point of sale provided all outstanding invoices are settled within 7 Days  
Disc. for 6 of any line item \$5 ea  
Disc. for 10 of any line item \$8 ea  
Disc. for 20 of any line item \$10 ea

Wholesale Prices shown for \$170 Minimum order

Retail: POA \$130 Min order

Plus freight & GST. All prices subject to change without notice

# Case Hardened Bushes - Precision Ground

## Suit 3" Diameter Shaft (Continued)

KSet Part No.	Price EX GST	Outside	Inside	Length		Manufacture Notes	Locations
B89-76-63	\$102	3.506"	3.011"	2.50"		KSet Design 2005	Precision Bush
B89G76G63	\$108	3.504"	3.006"	2.50"	.79kg	R2900G	Steer Cylinder Bush
B89G76G64	\$102	3.506"	3.011"	2.50"		Aftermarket Caterpillar	3x6Ø holes 7J9346
B89-76-70	\$104	3.502"	3.004"	2.75"	.88kg	KSet Design 2011	Precision Bush
B89G76G73	\$104	3.504"	3.005"	2.85"		KSet Steel	Replaces Bronze 8J6536
B89-76G75	\$104	3.504"	3.008"	2.97"	.96kg	CAT955 Bkt/Link	7K9573
B89G76G76	\$138	3.504"	3.006"	3.00"	.96kg	KSet Design 2001	Bearings
B89G76G78	\$118	3.504"	3.011"	3.07"	0.93kg	KSet Aftermarket Caterpillar	7P8753
B89-76G81	\$128	3.503"	3.009"	3.18"	1.03kg	CAT966-Bush-C	4V8674
B89-76G83	\$128	3.504"	3.006"	3.25"	1.07kg	Case Loader	721-Bush-J,L,K
B89-76G88	\$68	3.502"	3.006"	3.48"	1.10kg	Type U Bush	7K9604
B89-76-89	\$108	3.507"	3.009"	3.51"	1.10kg	Plain Bush	Suit Cat D11 8P0389
B89G76G89	\$134	3.502"	3.005"	3.50"	1.12kg	KSet Design 2000	Precision Bush
B89G76G94	\$158	3.504"	3.009"	3.70"	1.19kg	CAT980C,F,G-Bush-L,K	1V9148
B89G76G102	\$192	3.503"	3.006"	4.00"	1.29kg	Caterpillar Compatible	4J6533
B89G76X105	\$230	3.504"	3.006"	4.13"	1.35kg	Atlas Copco 5590 0119 99	5575 7008 92
B89-76G107	\$158	3.504"	3.008"	4.23"	1.36kg	CAT950-Bush-F	8K5757
B89G76X108	\$220	3.503"	3.005"	4.25"	1.35kg	Atlas Copco	5580 0108 24
B89-76G132	\$124	3.505"	3.011"	5.23"	1.68kg	CAT 9mm Wide Int. Groove	9T8676, 9J7078
B89G76G132	\$178	3.506"	3.011"	5.23"	1.70kg	CAT R1300G 9mm Wide Ext Groove	198-1142
B90G76G76	\$150	3.547"	3.006"	3.00"	1.05kg	KSet Design 2010	Greasable
B90G76X108	\$222	3.547"	3.005"	4.25"	1.35kg	KSet Design 2019	Greasable
B95-76-26	\$42	3.753"	3.006"	1.00"	0.51kg	KSet Design 2007	Plain Bush
B95-76-38	\$92	3.753"	3.007"	1.50"	0.80kg	KSet Design 2021	Plain Bush
B95-76-39	\$80	3.753"	3.020"	1.50"	0.80kg	Caterpillar D10 Ripper	3J6484
B95G76G51	\$98	3.752"	3.004"	2.00"	1.04kg	Cat 5mm wide Int groove, 3 x 4Ø holes	28 Ripper
B95-76-56	\$84	3.754"	3.011"	2.21"	1.14kg	Cat aftermarket	2V1256
B95G76G60	\$84	3.753"	3.006"	2.37"	1.17kg	Cat 3G5999 = 3.756"Ø x 3.013"Ø	3G5999
B95G76G63	\$128	3.752"	3.006"	2.50"	1.20kg	KSet Precision 2001	Greasable
B95G76G70	\$135	3.753"	3.006"	2.75"	1.42kg	Hydraulic cylinder bush	Greasable
B95G76G76	\$150	3.752"	3.006"	3.00"	1.51kg	Hydraulic ram bush	Greasable
B95G76G89	\$165	3.754"	3.006"	3.50"	1.79kg	Hydraulic cylinder bush	Greasable
B95G76G102	\$160	3.752"	3.006"	4.00"	2.04kg	KSet Precision 2001	Greasable
B95G76G121	\$208	3.752"	3.006"	4.75"	2.47kg	Hydraulic cylinder bush	Greasable
B95G76X126R	\$280	3.753"	3.008"	4.94"	2.32kg	Atlas Copco Seal Recess x2	5590 0003 99
B98-76-51	\$92	3.879"	3.004"	2.00"	1.24kg	8J7596	Bearing 621/3/7G Hitch
B98G76G54	\$96	3.880"	3.005"	2.12"		8D8829	CAT623G Scraper
B98G76G102	\$176	3.877"	3.006"	4.00"		KSet Design 2008	Greaseable
B100-76-51	\$88	100.07mm	3.003"	2.00"	1.26kg	8W4523 0.060 O/S	CAT 623G Scraper
B100G76G54	\$98	100.02mm	3.005"	2.12"	1.33kg	8W4525 0.060 O/S	CAT 623G Scraper
B100-76X75	\$128	100.05mm	3.008"	2.95"	1.89kg	Eimco	A2U913-194150
B102G76G76	\$132	4.004"	3.006"	3.00"	2.08kg	Eimco	A2U913-194265
B102G76G152	\$210	4.004"	3.006"	6.00"	4.35kg	Hydraulic cylinder bush	Greasable
B133T76R67	\$248	5.255"	3.005"	2.636"	4.66kg	Eimco	A2U913-194149

Dimensions shown are for the KSet Precision Bush, not for similar OEM bush.

### Frequently Asked Questions:

What does Tesk mean ?

What is a Tesk Bush ?

KSet Engineering

designs and manufactures bushes

according to popular size

enquiries and speculated demand

This process is the reverse of our

Reverse Engineering origins.

Tesk is KSet reversed.

A Tesk Bush is one that is not necessarily a replacement part.

### BUSHINGS

Quantity Discounts Available

only upon request at point of sale

provided all outstanding invoices

are settled within 7 Days

Disc. for 6 of any line item \$5 ea

Disc. for 10 of any line item \$8 ea

Disc. for 20 of any line item \$10 ea

**Wholesale Prices shown for \$170 Minimum order**

**Retail: POA \$130 Min order**

Plus freight & GST. All prices subject to change without notice

# Case Hardened Bushes - Precision Ground

## Bushings to suit 80mm Ø Shaft

KSet Part No.	Price EX GST	Outside	Inside	Length		Manufacture Notes	Locations
B92-79-64	\$ 94	3.632"	3.139"	2.53"		D10 Lift Arm Bush	3G8052
B92-79-77	\$ 85	3.631"	3.139"	3.03"		D10 Blade Bush	3G8051
B85-80X70	\$ 130	85.07mm	80.15mm	70.0mm	.35kg	3125 2388 00	Atlas Copco
B90-80-30	\$ 76	90.01mm	80.18mm	29.6mm	.32kg	114318A1, 192559A1	Case 580
B90-80-50	\$ 104	90.16mm	80.28mm	50.0mm	.53kg	4196105	Hitachi EX350
B90G80G60	\$ 125	90.06mm	80.15mm	60.0mm	.59kg	KSet Design 2002	Greasable Bush
B90-80-65	\$ 125	90.10mm	80.15mm	65.0mm	.68kg	Suit Hitachi	Plain Bush
B90-80X70	\$ 150	90.10mm	80.15mm	70.0mm	.71kg	KSet 2020 Cross Hatch Grooves	NLC
B90-80-80	\$ 130	90.10mm	80.15mm	80.0mm	.83kg	Matbro	38738
B90G80G80	\$ 148	90.08mm	80.15mm	80.0mm	.82kg	KSet Design 2002	Greasable Bush
B90G80G90	\$ 156	90.08mm	80.15mm	90.0mm	.92kg	Kobelco	SK210-Bush-HR
B90G80G100	\$ 198	90.10mm	80.15mm	100.0mm	1.02kg	Matbro	504227
B90-80X100	\$ 180	90.10mm	80.15mm	100.0mm	1.03kg	High Performance Cross Hatch KSet 2020	
B90-80G140	\$ 230	90.07mm	80.15mm	140.0mm	1.46kg	Volvo BML90C Small Z Link	
B92G80X84	\$ 156	92.05mm	80.14mm	84.0mm	1.01kg	Hydraulic ram, Rod end	Greasable
B95-80-40	\$ 94	95.15mm	80.25mm	39.9mm	0.65kg	4352398 6 Rqd ZX200-Bush-HR-HL	
B95-80-44	\$ 98	95.12mm	80.18mm	43.8mm	0.71kg	Komatsu 4 required PC200-8-Bush-K	
B95G80G52	\$ 90	95.13mm	80.20mm	52.4mm	0.88kg	4434036 6.5mm Offset Groove	Hitachi
B95-80-55	\$ 118	95.05mm	80.15mm	55.0mm	0.88kg	4107838	Hitachi
B95-80-65	\$ 118	95.05mm	80.15mm	65.0mm	1.04kg	Hitachi	Excavator Bush
B95G80X65	\$ 132	95.18mm	80.29mm	64.9mm	1.04kg	4409178 12mm Offset groove O/Bf8 ZX200-3-Bush-J	
B95G80X66	\$ 122	95.18mm	80.29mm	64.9mm	1.04kg	4443882 3.5mm Offset groove O/Bf8 ZX200-3-Bush-K	
B95G80X67	\$ 152	95.14mm	80.32mm*	67.0mm	1.05kg	207-70-53150 16mm Ext Groove Of8 Komatsu	
B95G80X68	\$ 182	95.12mm	80.19mm	67.0mm	1.06kg	KSet Design 2002	Less Clearance
B95-80-68	\$ 122	95.10mm	80.19mm	68.0mm	1.16kg	Hitachi	EX200-Bush-J
B95-80-70	\$ 105	95.10mm	80.19mm	70.0mm	1.16kg	KSet Precision Bush	for Hitachi
B95G80G70	\$ 102	95.17mm	80.23mm	70.0mm	1.11kg	Cat 325, 330 240-2912 Dimpled 7Y3428	
B95G80X70	\$ 167	95.12mm	80.18mm	70.0mm	1.11kg	Caterpillar CAT320C-Bush-K Of8	
B95G80K75	\$ 168	95.10mm	80.15mm	75.0mm	1.18kg	High Performance Cross Hatch KSet 2022	
B95G80X75	\$ 162	95.09mm	80.32mm	75.0mm	1.18kg	For Komatsu PC200, 220-Bush-HL	
B95G80X78	\$ 150	95.08mm	80.33mm*	78.0mm	1.20kg	707-76-80020 2Bf8 PC220-Bush-HR	
B95G80X79	\$ 162	95.12mm	80.20mm	78.0mm	1.25kg	Firmer Fit	Less Clearance
B95-80X80	\$ 152	95.13mm	80.30mm*	80.0mm	1.31kg	20Y-70-32351 Komatsu 21K-70-121	
B95G80G80	\$ 144	95.18mm	80.25mm	80.0mm	1.24kg	CAT320C-Bush-HL,J	195-0103
B95G80X80	\$ 150	95.14mm	80.21mm	80.0mm	1.30kg	XCMG	Modified 2022
B95G80G81	\$ 146	95.11mm	80.15mm	80.0mm	1.24kg	CAT320D	241-7380
B95M80G80	\$ 124	95.16mm	80.25mm	80.0mm	1.24kg	CAT320C	7Y3427
B95G80X81	\$ 162	95.12mm	80.20mm	81.0mm	1.30kg	Cat Aftermarket	Of8 240-2913
B95-80X84	\$ 148	95.10mm	80.18mm	84.0mm	1.32kg	Hyundai Loader	HL757-9-Bush-L,K
B95G80X84	\$ 160	95.11mm	80.29mm	84.8mm	1.32kg	Komatsu	707-76-80470

### BUSHINGS

Quantity Discounts Available only upon request at point of sale provided all outstanding invoices are settled within 7 Days

Disc. for 6 of any line item \$5 ea  
Disc. for 10 of any line item \$8 ea  
Disc. for 20 of any line item \$10 ea

Wholesale Prices shown for \$170 Minimum order

Retail: POA \$130 Min order

Plus freight & GST. All prices subject to change without notice

Bushes for 80mm Diameter Shaft continued next page...

# Case Hardened Bushes - Precision Ground

## Suit 80mm Diameter Shaft continued from previous page.

KSet Part No.	Price EX GST	Outside	Inside	Length		Manufacture Notes	Locations
B95-80G85	\$112	95.21mm	80.23mm	85.1mm	1.32kg	Cat-345-Bush-I 4I6897EL200-Bush-J Hitachi	
B95G80G85	\$150	95.11mm	80.16mm	85.0mm	1.32kg	241-7379 Australian Aftermarket	Cat320D
B95G80X85	\$170	95.05mm	80.15mm	85.0mm	1.32kg	EX200-Bush-B EL200-Bush-J	SE210-Bush-K,H
B95G80G86	\$159	95.09mm	80.20mm	86.0mm	1.33kg	KSet Design 2022	Greaseable Bush
B95G80K86	\$180	95.10mm	80.16mm	86.0mm	1.33kg	High Performance cross hatch	KSet 2022
B95G80X86	\$162	95.09mm	80.23mm	86.0mm	1.33kg	PC220-Bush-B,C,D,E,G	206-70-55280
B95F80X88	\$230	95.13mm	80.15mm	88.0mm	1.92 kg	Flange 140x8 Custom Bush	Flanged Bush
B95-80X89	\$148	95.16mm	80.29mm	89.0mm	Kobelco	LC12B01763P1	SK350-Bush-I Bf8
B95G80K90	\$190	95.10mm	80.16mm	90.0mm	1.39kg	High Performance cross hatch	KSet 2022
B95G80X90	\$172	95.14mm	80.33mm	90.0mm	1.39kg	PC200,220-Bush-K	205-70-67150 Of8
B95G80X91	\$166	95.12mm	80.20mm	90.0mm	1.39kg	Kobelco	SK220 "HL", SK330-8 "I" Of8
B95G80X92	\$184	95.12mm	80.20mm	92.0mm	1.41kg	Geasable Bush	Suit Hitachi
B95-80X95	\$149	95.10mm	80.18mm	94.8mm	1.50kg	Hyundai Loader	HL757-9-Bush-J
B95G80X95	\$190	95.10mm	80.16mm	95.0mm	1.50kg	SK220-Bush-HR	HD700-Bush-HR
B95F80X95	\$238	95.11mm	80.35mm	95.0mm	2 kg	Flange 130x7 205-70-72130	PC220-Bush-J
B95G80G100	\$158	95.09mm	80.16mm	100mm	1.58kg	241-7381 Aftermarket Australian	Cat320D
B95-80X100	\$194	95.11mm	80.18mm	100mm	1.59kg	Samsung Of8	SE210-Bush-J
B95G80X100	\$224	95.13mm	80.16mm	100mm	1.58kg	HD700"HL"	CAT320C-Bush-HR
B95G80G104	\$188	95.10mm	80.15mm	104mm	1.68kg	CAT 087 5847	325B-Bush-J
B95G80X110	\$256	95.13mm	80.18mm	110mm	1.73kg	KSet Design 2009	Closed Fig.8 Groove
B95G80X125	\$250	95.13mm	80.18mm	125mm	1.93kg	Komatsu 19w Ext 2x7Ø Holes2f8	205-70-71330
B98G80X67	\$214	98.13mm	80.20mm	67.0mm		KSet Design 2005	of8 Line Bore Bush
B98G80X78	\$224	98.13mm	80.20mm	78.0mm	1.50kg	KSet Design 2005	Bf8 Line Bore Bush
B98G80X90	\$236	98.13mm	80.20mm	90.0mm	1.70kg	KSet Design 2005	of8 Line Bore Bush
B100-80-21	\$ 80	100.00mm	79.97mm	20.7mm	0.46kg	580SLE Trunnion	1986794C1
B100G80G50	\$122	100.13mm	80.21mm	50.0mm	1.06kg	KSet Design 2010	Greaseable Bush
B100G80G65	\$152	100.12mm	80.20mm	65.0mm	1.38kg	KSet Design 2016	Greaseable Bush
B100-80-80	\$164	100.13mm	80.22mm	80.0mm	1.77kg	KSet Design 2004	Bearing Sleeve
B100G80G80	\$184	100.13mm	80.22mm	80.0mm	1.81kg	KSet Design 2010	Greaseable Bush
B100G80X90	\$230	100.13mm	80.21mm	90.0mm	1.98kg	Cobra ZL 50G	Wheel Loader
B100G80X95	\$190	100.13mm	80.21mm	95.0mm	2.09kg	KSet Design 2010	Bf8
B100G80X100	\$220	100.13mm	80.20mm	100 mm	2.21kg	KSet Design 2017	2Bf8
B100G80X110	\$248	100.13mm	80.20mm	110 mm	2.42kg	KSet Design 2003	2Bf8
B100G80X139	\$245	100.13mm	80.23mm	139 mm		Samsung of8	SE210-LC-Bush-J
B100G80X150	\$330	100.13mm	80.16mm	150 mm		KSet Design 2020	2Bf8
B105G80X70	\$205	105.13mm	80.17mm	95.0mm	1.98kg	KSet Design 2018	Bf8
B105G80X95	\$280	105.13mm	80.17mm	95.0mm	2.69kg	KSet Design 2005	Bf8
B110G80G70	\$198	110.13mm	80.25mm	70.0mm	3.48kg	KSet Design 2017	Greaseable Bush
B110F80X95	\$296	110.07mm	80.32mm	95.0mm	3.3 kg	20Y-70-32410 F130x7 SK200	PC220-7-Bush-J
B110G80G100	\$250	110.13mm	80.28mm	99.9mm	3.48kg	KSet Design 2007	Greaseable Bush
B110G80X100	\$280	110.13mm	80.26mm	99.9mm	3.48kg	KSet Design 2007	Bf8 Greaseable Bush
B110G80X110	\$324	110.13mm	80.26mm	110 mm	3.84kg	KSet Design 2012	Bf8 Greaseable Bush
B120G80X120	\$370	120.13mm	80.20mm	120.0mm	kg	Heavy Wall Bush	Greaseable

Dimensions shown are for the KSet Precision Bush, not for similar OEM bush.

### BUSHINGS

Quantity Discounts Available  
only upon request at point of sale  
provided all outstanding invoices  
are settled within 7 Days

Disc. for 6 of any line item \$5 ea  
Disc. for 10 of any line item \$8 ea  
Disc. for 20 of any line item \$10 ea

# Case Hardened Bushes - Precision Ground

## Bushes to suit 3.25" Diameter Shaft

KSet Part No.	Price EX GST	Outside	Inside	Length		Manufacture Notes	Locations
B95-83-38	\$ 84	3.752"	3.257"	1.50"	0.53kg	Case Hardened	Drill Rig Bush
B95-83-43	\$ 74	3.742"	3.251"	1.68"		Cat One Internal Chamfer 5x 45°	7J9366
B95-83-46	\$ 74	3.752"	3.256"	1.81"		Plain Bush	for 7K9531
B95-83G54	\$ 52	3.756"	3.260"	2.13"	0.73kg	CAT977 B/Link	for 7J9345
B95-83-69	\$ 74	3.754"	3.255"	2.72"		8J0201	CAT621, CAT623
B95-83-70	\$ 88	3.752"	3.257"	2.75"		7S3863	CAT983
B95G83G73	\$116	3.753"	3.257"	2.87"		Case Loader	Greasable Bush
B95F83-78	\$ 74	3.751"	3.255"	3.05"		Flange Bush	105mm x 5.7
B95-83-79	\$ 80	3.755"	3.253"	3.12"	1.11kg	9J9427	CAT623G Scraper
B95G83G83	\$122	3.752"	3.261"	3.27"	1.13kg	Case721-J 3G8779	960F,962G-Bush-L,K
B95G83G95	\$128	3.753"	3.261"	3.74"	1.29kg	3G9191	Caterpillar
B95G83G102	\$148	3.754"	3.257"	4.00"	1.41kg	KSet Design 2009	Greasable Bush
B97-83-79	\$ 74	3.814"	3.253"	3.12"		9J8318	CAT621, CAT623
B98-83-79	\$110	3.875"	3.252"	3.12"		9J8319	CAT621, CAT623
B99G83G108	\$126	3.879"	3.257"	4.25"	1.53kg	KSet 2010	CAT966 Track Loader

## Bushes for 85mm Diameter Shaft

B95-85-75	\$ 98	95.05mm	85.15mm	75.0mm	0.88kg	KSet Design 2003	Plain Bush
B95G85G80	\$103	95.08mm	85.15mm	80.0mm	0.93kg	KSet Design 2013	Greasable Bush
B95-85-100	\$124	95.05mm	85.15mm	100 mm	1.15kg	KSet Design 2006	Plain Bush
B95G85X125	\$144	95.10mm	85.25mm	125 mm		Some WA420s	WA420-Bush-L,K
B100G85X48	\$120	100.10mm	85.18mm	48.0mm		Kato 900-Bush-HL	097-4200-9000 Bf8
B100F85-50	\$240	100.03mm	85.07mm	50.29	1.09kg	Flange 125x7.47	Sandvik 26433448
B100G85G75	\$160	100.11mm	85.23mm	74.9mm	1.30kg	Komatsu 426-46-33140	WA600-6-Bush-Stg
B100-85G80	\$142	100.10mm	85.20mm	80.0mm	1.35kg	419-70-11890	WA320-Bush-A
B100-85G85	\$126	100.10mm	85.18mm	85.0mm	1.43kg	424-70-11810	WA420,450-J
B100G85G85	\$148	100.10mm	85.20mm	85.0mm	1.42kg	Komatsu	WA420-Bush-L,K
B100N85G85	\$164	100.12mm	85.22mm	84.8mm	1.36kg	423-70-21810	WA380,420-Bush-J
B100G85G95	\$142	100.10mm	85.20mm	95.0mm	1.62kg	Kobelco	RQD DE
B100G85X98	\$200	100.10mm	85.18mm	98.0mm	1.63kg	Kato 900-Bush-HDL	097-4200-8000 Bf8
B100G85G100	\$175	100.07mm	85.12mm	100 mm	1.67kg	424-70-11820	WA420-Bush-L,K
B100G85X105	\$208	100.10mm	85.18mm	105 mm	1.74kg	Kato 800-Bush-J	Open fig 8 groove
B103G85G100	\$195	103.10mm	85.18mm	100 mm		KSet Design 2006	Lineborer Bush
B115G85G96	\$160	115.08mm	85.05mm	96.0mm	3.48kg	Heavy Wall Bush / Boss,	Greasable

## Bushes to suit 3 1/2" Diameter Shaft

B101-88-49	\$ 90	3.987"	3.484"	1.93"	.73kg	Caterpillar Aftermarket	5J1193
B101-88-63	\$112	3.986"	3.484"	2.48"	.95kg	D11 Trunion Bushes	88.46 Ø 200-3926
B101-88-64	\$ 97	3.986"	3.501"	2.48"	.95kg	Static Fit	88.93 Ø Sleeve
B102-89-32	\$ 45	4.005"	3.509"	1.26"		Lineborer	Plain Bush
B102-89-38	\$ 78	4.0055"	3.5095"	1.50"	.57kg	Cat D11R Ripper Cyl	Aftermarket 9J1175
B102F89-43	\$118	4.002"	3.506"	1.69"	.52kg	Flange Bush 120 x 5	A2U913-194032
B102-89-44	\$112	4.004"	3.520"	1.75"	.67kg	Suits Caterpillar	Sub for 4J2379

Dimensions shown are for the KSet Precision Bush, not for similar OEM bush.

Bushes for 3.5" Ø Shaft continued next page...

### BUSHINGS

Quantity Discounts Available  
only upon request at point of sale  
provided all outstanding invoices  
are settled within 7 Days

Disc. for 6 of any line item \$5 ea  
Disc. for 10 of any line item \$8 ea  
Disc. for 20 of any line item \$10 ea

Wholesale Prices  
shown for \$170  
Minimum order

Retail: POA  
\$130 Min order

Plus freight & GST. All prices  
subject to change without notice



# Case Hardened Bushes - Precision Ground

## Suit 3 1/2" Diameter Shaft ...Continued

<u>KSet Part No.</u>	<u>Price</u> <u>EX GST</u>	<u>Outside</u>	<u>Inside</u>	<u>Length</u>		<u>Manufacture Notes</u>	<u>Locations</u>
B102-89-49	\$ 90	4.003"	3.507"	1.93"	.77kg	KSet	Plain Bush
B102-89-51	\$104	4.002"	3.505"	2.00"	.77kg	KSet 4V4453 = B102-89-52	Plain Bush
B102-89-55	\$ 96	4.007"	3.513"	2.16"	.80kg	Caterpillar Aftermarket	3T8459
B102-89G64	\$122	4.006"	3.510"	2.50"	.95kg	Caterpillar	Internal Groove
B102-89G75	\$104	4.002"	3.506"	2.97"	1.15kg	Caterpillar Aftermarket	7K9576
B102-89-76	\$ 98	4.003"	3.518"	3.01"	1.15kg	Caterpillar D11 Blade x 16	IJ5304
B102G89G76	\$104	4.003"	3.507"	3.00"	1.15kg	7K9576, was B102G89G77	9J6549
B102G89G83	\$126	4.004"	3.510"	3.27"	1.26kg	Caterpillar Aftermarket	3G7624
B102-89-90	\$110	4.004"	3.511"	3.54"	1.40kg	Caterpillar Aftermarket	133-2015
B102-89G94	\$110	4.002"	3.506"	3.70"	1.44kg	Caterpillar Aftermarket	5K7037
B102-89-95	\$140	4.003"	3.507"	3.75"		After market	CAT983 7J7887
B102G89G95	\$126	4.005"	3.515"	3.75"	1.42kg	Caterpillar Aftermarket	9J7099
B102G89X101	\$194	4.004"	3.505"	4.00"	1.45kg	KSet Design 2010	Greasable BF8
B102G89X108	\$168	4.004"	3.505"	4.25"	1.55kg	KSet Design 2004	Greasable BF8
B102G89G111	\$110	4.007"	3.517"	4.36"	T	CAT-966G-Bush-D	9J7100
B103G89N102	\$252	4.038"	3.506"	4.00"	1.4kg	Hydraulic Cylinder	Joy 100163419
B104G89-27	\$ 48	4.133"	3.503"	1.08"	T	CAT-950-Bush-BR	9K9159
B104-89-52	\$108	4.129s"	3.512"	2.05"	1.0kg	CAT Bush	4V4453
B104-89X52	\$108	4.129s"	3.511"	2.05"		CAT Bush Open Fig 8 x 2	156-8000
B104G89G76	\$130	4.129"	3.505"	3.00"		KSet Design 2004	Greasable
B104G89G82	\$140	4.128"	3.512"	3.24"	T	CAT-966G-Bush-L,K	4V8520
B104G89G89	\$102	4.129"	3.505"	3.50"		KSet Design 2002	Greasable
B104G89G94	\$142	4.130"	3.510"	3.70"	T	CAT-980C,F,G-Bush-D,E	1V8242
B104G89G110	\$118	4.128"	3.510"	4.33"	2.0kg	CAT-950,962-Bush-A	3V2333
B104-89G120	\$122	4.129"	3.510"	4.75"		CAT-966G,972-Bush-A	4V8673
B108-89-46	\$ 98	4.253"	3.507"	1.83"		CAT983 Plain Bearing	4J2379
B108-89-57	\$106	4.253"	3.508"	2.24"	1.35kg	CAT983 Plain Bearing	8K7677
B108-89-67	\$106	4.253"	3.510"	2.65"	1.60kg	CAT983 8K7613	63.5 wide for 5K4787
B108G89G81	\$150	4.253"	3.507"	3.18"	1.86kg	KSet Design 2016	Geaseable Bearing
B108-89-101	\$177	4.253"	3.507"	3.98"	2.30kg	KSet Design 2002	Plain Bearing
B110-89X75	\$210	4.332"	3.505"	2.95"	1.88kg	Eimco	A2U130-194277
B112-89-68	\$130	4.412"	3.513"	2.66"	1.92kg	Cat 185-7221 112.06x89.25	980G Bearing
B112G89-148R	\$264	4.415"	3.512"	5.84"		Cat 185-7220 2xRecess 4"x8.8	980G Bearing
B114-89-51	\$ 97	4.501"	3.528"	2.00"	1.58kg	Cat D11 Ripper	Aftermarket for 4T9751
B114G89G57	\$120	4.502"	3.508"	2.25"	1.76kg	KSet Design 2003	Greasable
B114-89-64	\$ 98	4.503"	3.507"	2.50"	2.00kg	CAT983	Sub for 7K1513
B114-89-73	\$ 98	4.504"	3.506"	2.87"	2.30kg	CAT	Sub for 7J0052
B114-89-76	\$ 98	4.505"	3.508"	3.00"	2.39kg	KSet Design 2009	Plain Bushing
B114-89G85	\$154	4.504"	3.517"	3.35"		Caterpillar D9	Sub for 3G6402
B114G89G96	\$150	4.504"	3.502"	3.78"	3.05kg	Heavy Wall Bush/Boss	Greasable
B115G89X114	\$180	4.530"	3.510"	4.50"		Logmax External groove 19wide x 112.70	Bf8
B120-89-75	\$170	120.10mm	3.506"	2.95"		Heavy Wall Bush	Plain
B121-89X108	\$170	4.754"	3.508"	4.25"	4.35 kg	Type X Bush	Greasable Bf8
B125-89-80	\$130	125.10mm	3.506"	3.15"	3.81 kg	Heavy Wall Bush	Plain

Dimensions shown are for the KSet Precision Bush, not for similar OEM bush.

### BUSHINGS

Quantity Discounts Available  
only upon request at point of sale  
provided all outstanding invoices  
are settled within 7 Days

Disc. for 6 of any line item \$5 ea  
Disc. for 10 of any line item \$8 ea  
Disc. for 20 of any line item \$10 ea

Wholesale Prices  
shown for \$170  
Minimum order

Retail: POA  
\$130 Min order

Plus freight & GST. All prices  
subject to change without notice

# Case Hardened Bushes - Precision Ground

## Suit 90mm Diameter Shaft

KSet Part No.	Price EX GST	Outside	Inside	Length		Manufacture Notes	Locations
B100-90-70	\$120	100.12mm	90.15mm	70mm	0.8kg	KSet 2011 Piling Rig	Plain Bush
B100G90G75	\$164	100.10mm	90.15mm	75mm	0.9kg	KSet Design 2010	Greasable
B100-90-80	\$160	100.12mm	90.15mm	80mm	0.9kg	KSet Design 2013	Plain Bush
B100G90G100	\$222	100.10mm	90.15mm	100	1.2kg	Volvo	L 180 2 Required
B100G90G137	\$258	100.10mm	90.16mm	137	2.5kg	Volvo	L 180 2 Rqd
B105G90G49	\$132	105.15mm	90.23mm	49.3	0.9kg	ZX350-Bush-I Grooves Offset 19mm	44438771
B105G90X49	\$110	105.15mm	90.23mm	49.3	0.9kg	ZX350-Bush-I Grooves Offset 19mm	44438771
B105-90-50	\$126	105.18mm	90.24mm	50mm	1.0kg	EX220-5-Bush-HR	4358100
B105G90G50	\$130	105.12mm	90.25mm	50mm	0.9kg	107-4161-3000 Kato 1250SEV, 1250-H,G,L	
B105-90-55	\$130	105.10mm	90.16mm	55mm	1.1kg	Hitachi	EX300-Bush-I
B105-90-60	\$130	105.10mm	90.20mm	60mm	1.2kg	KSet Design 2002	Plain Bush
B105-90-65	\$134	105.13mm	90.27mm	65mm	1.2kg	Hitachi EX220-5	4355876
B105G90G69	\$129	105.15mm	90.23mm	69.9	1.3kg	4443880 Grooves Offset 10mm	Hitachi
B105-90-70	\$136	105.13mm	90.27mm	70mm	1.3kg	Hitachi EX200 EX270	4203425
B105-90X70	\$154	105.10mm	90.16mm	70mm	1.3kg	205-70-66550, 205-70-72180 of8 PC200-Bush-F	
B105G90X70	\$154	105.10mm	90.16mm	70mm	1.3kg	KSet 2001 Externally greasable 2xBF8	
B105-90X76	\$194	105.12mm	90.22mm	76mm	1.3kg	Hyundai Loader HL757-9-Bush-E	
B105G90X85	\$222	105.18mm	90.28mm	85mm	1.5kg	3038451 Bf8 EX350-F, EX200-B,C,F	
B105G90X88	\$175	105.14mm	90.16mm	88mm	1.6kg	207-63-76170 PC300-Bush-HR	
B105G90G90	\$185	105.13mm	90.18mm	90mm	1.6kg	SK250,260-Bush-K Greasable LQ12B01509P1	
B105G90X90	\$188	105.14mm	90.16mm	90mm	1.6kg	Komatsu 207-70-33160 PC300-Bush-HL, K	
B105-90X92	\$188	105.10mm	90.23mm	92mm	1.7kg	Komatsu 207-70-32150 of8 PC300-Bush-I	
B105G90X95	\$198	105.13mm	90.30mm	95mm	1.7kg	SK330-6-K 707-76-90180 707-76-90130 Kato1250-HL	
B105G90X102	\$228	105.12mm	90.20mm	102	1.8kg	Kobelco BF8 SK330-6-Bush-HL	
B105G90X105	\$262	105.11mm	90.20mm	104.5	1.8kg	Volvo 2BF8 VOE1451 7940	
B105G90X109	\$192	105.09mm	90.24mm	109.4	1.9kg	Hitachi ZX450 Aftermarket 0937502	
B105G90X110	\$238	105.10mm	90.20mm	110	1.9kg	Kato 1250 "G" Greasable	
B105G90X112	\$180	105.11mm	90.18mm	112+	1.9kg	Kobelco SK220-F of8 SK330-8-HL,K	
B105-90X114	\$194	105.14mm	90.27mm	114	Kobelco	LC12B01761P1 O/Bf8 SK350-8-Bush	
B105G90X114	\$194	105.14mm	90.27mm	114	Kobelco	LC12B01781P1 SK350-8-Bush-HL,HR	
B105G90X115	\$210	105.14mm	90.21mm	115	Kobelco	SK330-8-HR,J 421-70-11251 Kato 1250-HR	
B105G90X120	\$278	105.13mm	90.28mm	120	2.2kg	VOE14880984 2Bf8 Kato 1250-Bush-B	
B105G90X130	\$260	105.13mm	90.25mm	130	2.3kg	Komatsu 205-70-65762 Bf8 PC200-Bush-A	
B106-90-61	\$124	106.10mm	90.15mm	61mm	1.2kg	CAT992g Stg Cyl	4E8078
B106G90G79	\$120	106.20mm	90.21mm	79mm	1.5kg	CAT	6E0804
B106G90G90	\$152	106.18mm	90.25mm	90mm	1.7kg	CAT320C Aftermarket 227-6789, 7Y2396	
B106G90X90	\$160	106.21mm	90.34mm	90mm		CAT325, 330 Aftermarket 137-2819	
B106M90G90	\$154	106.18mm	90.25mm	90mm		228-5615 CAT325-Bush-J External Slot 7Y3553	
B106G90G100	\$164	106.18mm	90.25mm	100	1.9kg	CAT Aftermarket 1807577 2789255	
B106M90G100	\$130	106.18mm	90.25mm	100	1.9kg	CAT333-Bush-J External Slot	
B106G90G113	\$128	106.22mm	90.27mm	113	2.2kg	CAT320C Aftermarket 7Y3552	
B106G90G130	\$136	106.12mm	90.24mm	130	2.4kg	CAT330C Stick Cyl Aftermarket 241-7342	
B110-90-50	\$104	110.12mm	90.15mm	50mm	1.3kg	KSet Design 2016	Plain Bush
B110G90X73	\$205	110.14mm	90.21mm	73mm	1.8kg	Kato 1250 "K"	337-4201-6000 SEV
B110-90-80	\$178	110.12mm	90.15mm	80mm	1.9kg	KSet Design 2012	Plain Bush

Hardened Steel USA  
3 day delivery to USA  
KSet hardened steel bush  
Leave KSet Friday  
Arrive America Monday  
Case Hardened Bushes

Hardened Steel Sleeve USA  
3 day delivery America  
KSet hardened steel bush  
Leave KSet Wednesday  
Delivered America Friday

Steel Bearing Sleeve USA  
3 day delivery to USA  
KSet hardened steel bush  
Leave KSet Friday  
Arrive America Monday

### BUSHINGS

Quantity Discounts Available  
only upon request at point of sale  
provided all outstanding invoices  
are settled within 7 Days

Disc. for 6 of any line item \$5 ea  
Disc. for 10 of any line item \$8 ea  
Disc. for 20 of any line item \$10 ea

Wholesale Prices  
shown for \$170  
Minimum order

Retail: POA  
\$130 Min order

Plus freight & GST. All prices  
subject to change without notice

Bushes for 90 Ø Shaft continued next page...

# Case Hardened Bushes - Precision Ground

## Suit 90mm Diameter Shaft ... Continued

KSet Part No.	Price EX GST	Outside	Inside	Length	Manufacture Notes	Locations
B110G90X90	\$254	110.15mm	90.24mm	90mm 2.2kg	KSet Design 2017 Closed Fig.8 groove	
B110-90X100	\$254	110.14mm	90.21mm	100mm 2.42kg	Kato 1250 "J"x4 2of8 337-4201-0000	
B110G90X100	\$308	110.15mm	90.24mm	100mm 2.42kg	KSet Design 2001 2xClosed Fig.8 groove	
B110F90X102	\$410	110.18mm	90.24mm	102mm 3.24kg	Flange 150x8 207-70-32140	PC300-Bush-6-J
B110G90N113G	\$234	110.02mm	90.05mm	113mm 2.70kg	Twin Grooves	A2U900-194346
B110F90X145	\$590	110.15mm	90.29mm	145mm 4.5kg	Flange 170x10	SK330LC-6E-Bush-J
B115-90-80	\$210	115.13mm	90.18mm	80mm 2.54kg	KSet Design 2017	Plain Bush
B115G90X85	\$272	115.13mm	90.18mm	85mm 2.60kg	KSet Design 2017	Figure 8 groove
B115G90X100	\$310	115.13mm	90.18mm	100mm 3.12kg	KSet Design 2009	Figure 8 groove
B120F90X106	\$384	120.14mm	90.35mm	105.9 4.16kg	Flange 150x7.5 207-70-72460	PC350-7-Bush-J
B120G90X110	\$368	120.14mm	90.29mm	110mm 4.2kg	Greasable	Closed Fig. 8 Groove
B120F90X126	\$460	120.14mm	90.29mm	125.6 5kg	Flange 155x6.5 LC12B01653P1+LC12B01761P1	SK350-8-J
B130-90X67	\$455	130.08mm	90.27mm	67mm 3.7kg	Heavy Wall	Closed Fig. 8 Groove

## Suit 95mm Diameter Shaft

B105G95X102	\$260	105.12mm	95.20mm	102mm 1.26kg	Kobelco	BF8 Modification
B110G95G70	\$136	110.13mm	95.20mm	70.0mm 1.33kg	707-76-95050	WA320-Bush-D,E
B110-95-72	\$124	110.15mm	95.20mm	72.0mm 1.40kg	707-76-95040	WA420-3
B110G95G72	\$130	110.15mm	95.20mm	72.0mm 1.40kg	KSet Greasable for 707-76-95040	WA420-3
B110-95G80	\$130	110.13mm	95.20mm	80.0mm 1.45kg	427-70-11870	707-76-95010
B110G95G80	\$152	110.13mm	95.20mm	80.0mm 1.49kg	KSet Greasable 427-70-11870	707-76-95010
B110-95X80	\$154	110.10mm	95.22mm	79.8mm 1.49kg	WA250PZ-6-E 424-70-11770	WA380,420-C
B110-95X85	\$144	110.13mm	95.20mm	85.0mm 1.49kg	Komatsu of8	WA320-Bush-F
B110-95G90	\$138	110.13mm	95.20mm	90.0mm	385-1007-0591	W120-2
B110G95X90	\$204	110.13mm	95.20mm	90.0mm	385-1007-0611	W120-2
B110G95X95	\$210	110.14mm	95.20mm	95.0mm 1.80kg	421-70-11241 wasTypeX	WA470-Bush-J
B110N95G95	\$168	110.11mm	95.27mm	94.8mm 1.80kg	421-70-21240	WA470-1-Bush-J
B110G95X105	\$190	110.14mm	95.20mm	104.9	424-70-11890	WA420-Bush-A
B110G95X115	\$230	110.14mm	95.27mm	114.9 2.16kg	421-70-11251	WA470-Bush-L,K
B115G95X115	\$234	115.14mm	95.25mm	114.9	KSet Design 2009	Bf8 Greasable

## Bushes for 3.75" Diameter Shaft

B108-96-74	\$110	4.257"	3.764"	2.92"	4J5693	CAT623G Scraper
B108-96-88	\$122	4.254"	3.763"	3.46"	5J6611	CAT623G Scraper
B108-96-92	\$120	4.255"	3.763"	3.62"	4J5695	CAT623G Scraper
B114G96G88	\$118	4.506"	3.763"	3.48" 2.12kg	1V6934	CAT988B Bkt/Link
B114G96G107	\$130	4.505"	3.763"	4.21" 2.57kg	Caterpillar	1V7036
B121-96-56	\$86	4.749"	3.751"	2.23"	7J9841	1x 6mm Internal Chamfer CAT
B121-96-76	\$98	4.751"	3.754"	3.00"	Caterpillar	CAT980-Bush-J
B121G96N140	\$130	4.754"	3.759"	5.50"	Caterpillar	CAT 980

Dimensions shown are for the KSet Precision Bush, not for similar OEM bush.

Hardened Steel USA  
3 day delivery to USA  
KSet hardened steel bush  
Leave KSet Friday  
Arrive America Monday  
Case Hardened Bushes

Hardened Steel Sleeve USA  
3 day delivery America  
KSet hardened steel bush  
Leave KSet Wednesday  
Delivered America Friday

Hard Steel Bushing Canada  
3 day delivery to USA  
KSet hardened steel bush  
Leave KSet Friday  
Arrive America Monday

**BUSHINGS**  
Quantity Discounts Available  
only upon request provided  
all outstanding invoices  
are settled within 7 Days  
Disc. for 6 of any line item \$5 ea  
Disc. for 10 of any line item \$8 ea  
Disc. for 20 of any line item \$10 ea

# Case Hardened Bushes - Precision Ground

## Bushes to suit 100mm Diameter Shaft

<u>KSet Part No.</u>	<u>Price</u> EX GST	<u>Outside</u>	<u>Inside</u>	<u>Length</u>	<u>Manufacture Notes</u>	<u>Locations</u>
B110F100-48	\$300	110.04mm	100.12mm	48.0	Flange 117 x 4 4 Required	FBL10 516389
B110F100-62	\$340	110.04mm	100.12mm	62.0	Flange 124 x 10 1 Required	FBL10 516388
B110G100G78	\$162	110.10mm	100.15mm	78.0	1.0kg KSet 2012	Greasable
B110-100-100	\$238	110.12mm	100.16mm	100.0	1.3kg Volvo L 180	4 Required
B110-100G140	\$276	110.12mm	100.17mm	140.0	1.8kg Volvo L 180	B110G100G330 2 Required
B115-100-40	\$120	115.08mm	100.05mm	40.0	0.6kg Bucket Bush	Static Fit
B115-100-52	\$154	115.12mm	100.20mm	51.7	1.1kg 381857S	6 Rqd..ZX350-Bush-HR,HL
B115-100-60	\$158	115.15mm	100.29mm	59.7	1.4kg Hitachi	Aftermarket 3026075
B115-100-65	\$162	115.15mm	100.29mm	65.0	1.3kg Hitachi	EX300-Bush-J
B115-100-66	\$122	115.15mm	100.33mm	65.0	1.3kg Mud Bucket	More Clearance Plain Bush
B115G100G70	\$164	115.13mm	100.21mm	69.8	1.4kg 4443885	Groove 25 from Cfr ZX350-Bush-J,K
B115G100X74	\$218	115.15mm	100.20mm	74.0	20T-70-71520	PC45-Bush-T
B115-100-75	\$148	115.15mm	100.29mm	75.0	1.4kg KSet Design 2020	Plain Bush
B115-100X79	\$160	115.10mm	100.21mm	79.5	1.6kg Volvo	O/Bf8 VOE 1488 0987
B115G100X80	\$194	115.15mm	100.20mm	80.0	1.5kg KSet Design 2001	Bf8 Type J Bush
B115G100G85	\$166	115.15mm	100.20mm	85.0	1.7kg KSet Design 2003	Greasable
B115G100X90	\$190	115.12mm	100.27mm	90.0	1.8kg Hitachi	EX200-Bush-A
B115-100X95	\$190	115.15mm	100.20mm	95.0	208-70-13141	of8 PC400-Bush-I
B115G100X95	\$238	115.15mm	100.20mm	95.0	1.8kg 707-76-10230	208-70-13141 PC400-Bush-B,K
B115G100X98	\$240	115.10mm	100.23mm	97.5	1.9kg VOE 1451 7186	2Bf8
B115-100X100	\$260	115.11mm	100.24mm	99.5	VOE 1488 0988	EC460-Bush-I
B115G100X105	\$254	115.15mm	100.18mm	105.7	2.1kg 207-70-51440	707-76-10130 PC300-Bush-C,D,E
B115G100G106	\$198	115.08mm	100.22mm	106.0	2.1kg 707-76-10290	PC400-8-Bush-B
B115G100G108	\$178	115.10mm	100.18mm	108.0	2.2kg Hitachi	ZX300-Bush-HR
B115G100X108	\$200	115.10mm	100.18mm	108.0	2.1kg Komatsu	PC450-LC-Bush-HL
B115G100X109	\$200	115.09mm	100.23mm	109.4	2.2kg Hitachi ZX450	0937504 Bf8
B115G100X110	\$228	115.12mm	100.19mm	110.0	2.2kg CAT320, 350	Closed groove fig 8
B115G100X111	\$268	115.10mm	100.18mm	111.0	2.2kg KSet Design 2003	Open/closed fig 8
B115G100X120	\$304	115.11mm	100.31mm	120.0	2.4kg Volvo EC330CL	VOE1488 0985
B115G100X124	\$262	115.09mm	100.23mm	124.0	2.2kg Hitachi ZX450	0937502 Bf8
B115G100X130	\$280	115.10mm	100.25mm	129.7	2.7kg 206-70-61310	206-70-55240 PC220-Bush-A

Hardened Steel Canada  
KSet hardened steel bush  
Leave KSet Friday  
Arrive Canada Monday  
Case Hardened Bushes

Steel Bearing Sleeve USA  
KSet hardened steel bush  
3 days to North America  
Leave KSet Wednesday  
Delivered America Friday

America Steel Bearings  
KSet hardened steel bush  
3 day delivery to USA  
Leave KSet Friday  
Delivered America Monday

## Bushes to suit 100mm Ø Shaft....Continued next page.

"We find that KSet bushes are in stock almost 100% of the time."

**Prices shown are for \$170 Minimum Wholesale Order, Plus freight & GST.**

**Orders below this amount are Retail, POA and \$130 minimum.**

**All prices subject to change without notice**

Dimensions shown are for the KSet Precision Bush, not for similar OEM bush.

### BUSHINGS

Quantity Discounts Available  
only upon request provided  
all outstanding invoices  
are settled within 7 Days

Disc. for 4 of any line item \$8 ea  
Disc. for 10 of any line item \$11 ea  
Disc. for 20 of any line item \$14 ea

# Case Hardened Bushes - Precision Ground

## Bushes to suit 100mm Diameter Shaft ...(Continued)

<u>KSet Part No.</u>	<u>Price</u> EX GST	<u>Outside</u>	<u>Inside</u>	<u>Length</u>	<u>Manufacture Notes</u>	<u>Locations</u>
B116 <b>F</b> 100N87	\$365	116.05mm	<b>100.10mm</b>	87.05	2.0kg Flange Bush 503149	FBL10-Bush-J
B116G100G100	\$210	116.21mm	<b>100.28mm</b>	100.0	2.3kg Cat330-Bush-B for 7Y2397	Cat345-Bush-HL,K
B116M100G100	\$150	116.22mm	<b>100.29mm</b>	100.0	2.3kg 414665 2 external grooves from one side	CAT330
B116G100X100	\$248	116.22mm	<b>100.24mm</b>	100.0	2.3kg 228-5617 103-5348, 137-2817	CAT330D-Bush-J
B116G100G110	\$214	116.16mm	<b>100.22mm</b>	110.1	2.4kg CAT330DL	241-7340
B116G100X110	\$228	116.20mm	<b>100.24mm</b>	109.7	2.4kg CAT330D-Bush-HL 241-7280 137-2818	CAT325,330
B116G100G120	\$137	116.20mm	<b>100.24mm</b>	120.0	2.6kg 087-5546	CAT450-Bush-HR
B116-100X130	\$290	116.15mm	<b>100.20mm</b>	129.7	2.7kg Caterpillar	CAT325-Bush-F
B117G100X95	\$200	117.12mm	<b>100.20mm</b>	95.0	2.2kg KSet 2009	Bf8

*Hardened Steel Canada  
KSet hardened steel bush  
Leave KSet Friday  
Arrive Canada Monday  
Case Hardened Bushes*

*Steel Bearing Sleeve USA  
KSet hardened steel bush  
3 days to North America  
Leave KSet Wednesday  
Delivered America Friday*

*America Steel Bearings  
KSet hardened steel bush  
3 day delivery to USA  
Leave KSet Friday  
Delivered America Monday*

## Heavy Wall Bushes for 100 Ø Shaft

<u>KSet Part No.</u>	<u>Price</u> EX GST	<u>Outside</u>	<u>Inside</u>	<u>Length</u>	<u>Manufacture Notes</u>	<u>Locations</u>
B120G100G70	\$210	120.10mm	<b>100.15mm</b>	70.0	2.0kg KSet Design 2013	Greasable
B120-100-75	\$224	120.05mm	<b>100.15mm</b>	75.0	2.1kg KSet Design 2002	Plain Bush
B120G100X95	\$280	120.15mm	<b>100.22mm</b>	95.0	2.6kg KSet Design 2018	Greasable
B120G100X98	\$296	120.15mm	<b>100.22mm</b>	98.0	2.7kg KSet Design 2017	Greasable
B120G100X115	\$348	120.16mm	<b>100.22mm</b>	115.0	3.1kg KSet Design 2001	Greasable
B120G100G120	\$250	120.16mm	<b>100.22mm</b>	120.0	3.5kg KSet 10mm Wide External Groove	2016
B120 <b>F</b> 100X125	\$300	120.16mm	<b>100.20mm</b>	125.0	Flange 166 Ø 208-70-32140	PC400-Bush-J
B120G100X130	\$310	120.16mm	<b>100.22mm</b>	130.0	3.5kg KSet 12mm Wide External Groove	Closed Fig. 8
B120G100X150	\$388	120.16mm	<b>100.22mm</b>	150.0	4.0kg KSet 12mm Wide External Groove	Open Fig. 8
B125G100G100	\$338	125.14mm	<b>100.20mm</b>	100.0	3.5kg KSet Design 2016	Greaseable Bush
B130 <b>F</b> 100X106	\$450	130.18mm	<b>100.32mm</b>	105.8	4.7kg Flange 166 Ø x7.5	PC450-8-Bush-J
B130G100X114	\$430	130.16mm	<b>100.22mm</b>	114.0	4.8kg KSet Design 2012	Closed Fig. 8
B135G100G100	\$340	135.15mm	<b>100.22mm</b>	100.0	5.0kg Case-Hardened	Greasable

"We find that KSet bushes are in stock almost 100% of the time."

**Prices shown are for \$170 Minimum Wholesale Order, Plus freight & GST.**

**Orders below this amount are Retail, POA and \$130 minimum.**

**All prices subject to change without notice**

Dimensions shown are for the KSet Precision Bush, not for similar OEM bush.

### BUSHINGS

Quantity Discounts Available  
only upon request provided  
all outstanding invoices  
are settled within 7 Days

Disc. for 4 of any line item \$8 ea  
Disc. for 10 of any line item \$11 ea  
Disc. for 20 of any line item \$14 ea

# Case Hardened Bushes - Precision Ground

## Bushes to Suit 4" Diameter Shaft

KSet Part No.	Price EX GST	Outside	Inside	Length		Manufacture Notes	Locations
B114G102X76	\$200	4.503"	4.009"	3.00"	1.3kg	Eimco Aftermarket	A2U913 194013
B114-102-64	\$140	4.504"	4.007"	2.50"	1.1kg	KSet 2022	Plain Bush
B114-102-102	\$186	4.504"	4.009"	4.00"	1.7kg	KSet 2007	Plain Bush
B114G102G102	\$240	4.504"	4.009"	4.00"	1.7kg	KSet 2022	Greasable Bush
B114G102X127	\$354	4.504"	4.006"	5.00"	2.2kg	KSet 2007	Closed Fig.8 Groove
B115G102X102	\$320	4.538"	4.006"	4.00"		Hydraulic Cylinder	JOY 100163419
B118-102-50	\$100	4.629"	4.012"	1.97"		Caterpillar	D11 MDS
B118-102-60	\$108	4.630"	4.013"	2.37"		Caterpillar	4V2879
B118-102-76	\$150	4.629"	4.012"	3.00"		D10, D11 Ripper	145-8737 x16
B118G102G89	\$ 88	4.630"	4.007"	3.50"	1.9kg	Hydraulic cylinder bush	Greasable
B120-102-50	\$ 90	120.12mm	4.006"	1.97"		Bucket Bush	Plain
B121-102-63	\$278	4.752"	4.008"	2.48"		0501-10097	Jug-A-0 Artic
B121-102-64	\$170	4.7595"	4.018"	2.50"	1.7kg	Caterpillar D10	2V0447
B121G102G70	\$170	4.754"	4.007"	2.75"	1.8kg	Caterpillar	7K9545
B121G102G89	\$184	4.754"	4.007"	3.50"	2.4kg	KSet Design 2010	Greasable
B121-102G107	\$120	4.757"	4.010"	4.22"	2.9kg	Modena	7K9532
B121G102G108	\$148	4.754"	4.007"	4.25"	2.9kg	Caterpillar	7K9532
B124G102G108	\$200	4.879"	4.007"	4.25"	3.3kg	KSet Type I	Greasable
B127-102X90	\$295	5.006"	4.007"	3.51"		KSet Type X	O/Bf8 Groove
B127-102-94	\$210	5.005"	4.019"	3.71"	3.4kg	D10N	7T7190
B127-102G110	\$220	5.005"	4.016"	4.33"	3.9kg	D10N Case and frame	3T9658
B127G102X127	\$425	5.004"	4.012"	5.00"	4.5kg	Komforest	Cross Hatch Grooves
B127G102G130	\$360	5.006"	4.019"	5.12"	4.6kg	Suit Caterpillar	4T1422
B127G102G135	\$380	5.005"	4.027"	5.31"		Suit Cat Ripper	9J6687

## Bushes to Suit 105mm Diameter Shaft

B120G105X75	\$120	120.15mm	105.25mm	75.0mm	1.6kg	Kato	HD1250-Bush-HL
B120G105X100	\$230	120.15mm	105.25mm	100.0mm	2.1kg	Kato	HD1250-Bush-C
B120G105X110	\$290	120.15mm	105.25mm	110.0mm	2.3kg	SH330-HR	& HD-1250-D,E
B120G105X157	\$290	120.15mm	105.25mm	157.0mm	3.3kg	Kato 1250	BF8 Groove
B125G105G75	\$220	125.15mm	105.23mm	75.0mm	1.6kg	Kato	Bush-HL
B125G105X120	\$298	125.15mm	105.22mm	120.0mm	3.4kg	Cobra ZL 50G	Bf8
B130G105X160	\$340	130.17mm	105.25mm	160.0mm	5.7kg	Heavy Wall	Greasable Bush

## Suit 4.25" Diameter Shaft

B121G108-101	\$148	121.26mm	108.50mm	101.0mm		JOY	External Groove Only
B121G108G118	\$240	4.755"	4.264"	4.64"		1V8241	CAT988C,F,G-Bush-B,C
B124G108G101	\$150	4.881"	4.263"	3.97"		Caterpillar	5J8363

Prices shown are for \$170 Minimum Wholesale Order, Plus freight & GST.

Orders below this amount are Retail, POA and \$130 minimum.

All prices subject to change without notice

Dimensions shown are for the KSet Precision Bush, not for similar OEM bush.

Hardened Steel Canada  
KSet hardened steel bush  
Leave KSet Friday  
Arrive Canada Monday  
Case Hardened Bushes

Steel Bearing Sleeve USA  
KSet hardened steel bush  
3 days to North America  
Leave KSet Wednesday  
Delivered America Friday

Metal Bushing Canada  
KSet hardened steel bush  
3 day delivery to USA  
Leave KSet Friday  
Delivered America Monday

### BUSHINGS

Quantity Discounts Available  
only upon request provided  
all outstanding invoices  
are settled within 7 Days

Disc. for 4 of any line item \$8 ea  
Disc. for 10 of any line item \$11 ea  
Disc. for 20 of any line item \$14 ea

# Case Hardened Bushes - Precision Ground

## Bushes to Suit 110mm Diameter Shaft

KSet Part No.	Price EX GST	Outside	Inside	Length		Manufacture Notes	Locations
B125-110-45	\$150	125.18mm	110.28mm	45.0	1.0kg	Hitachi 4381855	EX350-Bush-B,C x8
B125-110-54	\$150	125.17mm	110.27mm	53.8	1.2kg	Hitachi 4381859	EX350-Bush-D,E
B125G110G70	\$170	125.12mm	110.28mm	70.0	1.6kg	Hitachi 4443884	16mm offset EX350-Bush-A
B125-110G90	\$192	125.07mm	110.22mm	89.8	2.0kg	707-76-11030	WA480-5-Bush-B
B125G110G90	\$195	125.07mm	110.18mm	89.8	2.0kg	WA250PZ-6-E	707-76-11010 WA380,420-D,E
B125G110X90	\$248	125.14mm	110.28mm	89.9	2.0kg	421-70-11381	WA450,470-Bush-C
B125-110G100	\$180	125.10mm	110.21mm	99.5	2.2kg	707-76-11040	WA450,470-Bush-B
B125-110X100	\$193	125.14mm	110.32mm	100.2		207-70-61521	2xOF8 PC300-6,PC300-8
B125G110X100	\$252	125.15mm	110.20mm	100.0	2.2kg	207-70-12161	PC600-1 Of8x2 PC300-Bush-F
B125G110X101	\$264	125.18mm	110.32mm	100.0	2.2kg	3055478	Hitachi EX350-Bush-A
B125-110G105	\$218	125.16mm	110.28mm	104.8	2.3kg	421-70-11261	WA450,470-Bush-A
B125G110X112	\$288	125.13mm	110.28mm	112.4	2.4kg	VOE1451 5557	Volvo 2Bf8 EC460-Bush-HR
B125G110X114	\$244	125.18mm	110.31mm	114.0	2.4kg	Hitachi	EX350-Bush-F
B125G110X116	\$244	125.08mm	110.34mm	115.7	2.5kg	PC400-Bush-C,D,E,	PC600-Bush-HR
B125G110G120	\$264	125.15mm	110.30mm	119.6	2.6kg	425-70-11820	WA480,500-Bush-K,L
B125G110X120	\$288	125.15mm	110.28mm	120.0	2.6kg	KSet Figure 8 suit	WA480,500-Bush-K,L
B125G110X124	\$304	125.12mm	110.24mm	124.1	2.7kg	4609090	Hitachi ZX450 Heavy Duty
B125G110X126	\$296	125.15mm	110.20mm	126.0	2.7kg	Hitachi	EX350-Dogbone
B125G110X137	\$320	125.13mm	110.24mm	136.5	3.0kg	VOE1451 5335	EC460-Bush-HL
B125G110X140	\$320	125.15mm	110.20mm	140.0	3.0kg	PC300-Bush-A	PC850-Bush-F PC600-Bush-HL
B125-110X155	\$294	125.14mm	110.35mm	154.8	3.3kg	425-70-11730	WA500-Bush-J Bf8
B130F110X72	\$190	130.20mm	110.30mm	72.2		F145 Ø 425-70-11341, 425-70-11343	WA500-Bush-F
B130G110X85	\$254	130.20mm	110.26mm	85.0	2.6kg	3079233	Bf8 Hitachi ZX450
B130G110X100	\$260	130.26mm	110.23mm	100.0	3.0kg	4I4542	Cat330-390F-Bush-I 284-7354
B130G110X110	\$274	130.24mm	110.29mm	110.0	3.3kg	Cat345	Boom Cyl 141-3420, 235-7527
B130G110X123	\$412	130.22mm	110.28mm	122.6	3.6kg	3060476	Bf8 Hitachi ZX450-Bush-H,L,K
B130-110X128	\$288	130.15mm	110.20mm	128.0	3.9kg	Hyundai Loader	HL757-9-Bush-F
B130G110X130	\$288	130.24mm	110.36mm	129.9	3.9kg	Cat345	Boom Cyl Aftermarket 148-3091
B130G110X140	\$404	130.15mm	110.20mm	140.0	4.2kg	Greasable	Closed Fig.8 Groove
B130G110G155	\$270	130.26mm	110.30mm	155.0	4.6kg	CAT365	11wide Ext Groove Suit 4I-6718
B135-110-90	\$170	135.15mm	110.28mm	90.0	3.4kg	KSet Design 2014	Plain Bush
B135G110G90	\$230	135.15mm	110.28mm	90.0	3.4kg	KSet Design 2024	Greasable Bush
B135G110X99	\$345	135.17mm	110.20mm	99.5	3.7kg	VOE1457 1194	2Bf8 Volvo
B135-110-100	\$180	135.15mm	110.28mm	100.0	3.8kg	KSet Design 2014	Plain Bush
B135G110G100	\$240	135.15mm	110.28mm	100.0	3.8kg	KSet Design 2024	Greasable Bush
B135G110G110R	\$190	135.06mm	110.27mm	109.9	3.9kg	707-76-11050	WA420-Bush-D,E
B135G110X120	\$388	135.15mm	110.24mm	119.5	4.3kg	VOE1457 0425	EC700-Bush-H
B140G110G126	\$398	140.14mm	110.20mm	126.0	5.8kg	Heavy Wall	Greasable

### Correct Material for Bushings

What type of steel to machine bucket bushings for a backhoe or bushings for an excavator from ?

### KSet Bushings

are machined from low carbon hollow bar such as Ovako 280 or 20MnV6 Manganese Vanadium Steel

**Wear Hardness** is added to the surface of the bush by Furnace **Case Hardening Quenched and Tempered** to 59 - 61 Hardness Rockwell C at 200 degrees Celcius

### Engineered Bushing Applications

Bucket, Arm and Cylinder Joints of excavators and wheel loaders Heavy Load Joints. Boom Foot Boom Cylinder Foot Boom Cylinder Ram Eye Excavator Pivot Points Replacement of Bronze Bushes Replace Fibre Bushes Lineboring Rebuilds

### BUSHINGS

Quantity Discounts Available only upon request provided all outstanding invoices are settled within 7 Days

Disc. for 4 of any line item \$10 ea  
Disc. for 10 of any line item \$14 ea  
Disc. for 20 of any line item \$20 ea

**Wholesale Prices shown for \$170 Minimum order**

**Retail: POA \$130 Min order**

Plus freight & GST. All prices subject to change without notice

Prices shown are for \$170 Minimum Wholesale Order, Plus freight & GST.

Orders below this amount are Retail, POA and \$130 minimum.

All prices subject to change without notice

Dimensions shown are for the KSet Precision Bush, not for similar OEM bush.

# Case Hardened Bushes - Precision Ground

## Bushes to Suit 4 1/2" Ø to 125 Ø Shaft

<u>KSet Part No.</u>	<u>Price</u> EX GST	<u>Outside</u>	<u>Inside</u>	<u>Length</u>		<u>Manufacture Notes</u>	<u>Locations</u>
B133G114G130	\$ 230	5.255"	4.513"	5.12"		1V8240	CAT980C,F,G-Bush-A
B133G114G150	\$ 230	5.258"	4.515"	5.91"	4.3kg	5V1386	CAT950B,E,F-Bush-F
B133G114G184	\$ 220	5.255"	4.516"	7.22"		1V7001 R2900 B,C	CAT983,988B-Bush-K
B140-114-67	\$ 138	5.504"	4.518"	2.63"	2.9kg	9J1914	D11 Ripper
B140-114-70	\$ 138	5.506"	4.519"	2.75"	3.9kg	3T8458	D11 Ripper
B140-114-112	\$ 260	5.506"	4.519"	4.41"	4.6kg	D11 Multi Ripper	For 128-6121
B140-114-117	\$ 350	5.506"	4.519"	4.62"	4.8kg	4T3845	Cat D11N Arm
B135G115X78	\$ 336	135.20mm	115.30mm	78.0	2.4kg	KSet Design 2023	Greasable Bush
B135G115X132	\$ 435	135.23mm	115.39mm	131.8	3.9kg	209-72-53170 17 wide groove	PC600,800-Bush-I,K
B130F120-45	\$ 280	130.04mm	120.10mm	45.2mm		Flange 136 Ø x 4	516387 1 Req
B130-120G145	\$ 360	130.14mm	120.19mm	145.0	2.2kg	Volvo	L180 2 Req
B135G120G95	\$ 228	135.10mm	120.20mm	94.5mm	2.3kg	707-76-12030	WA450,470-Bush-E
B135-120X100	\$ 250	135.11mm	120.32mm	99.8mm	2.4kg	707-76-12041 425-70-11871	WA500-Bush-BC
B135G120G105	\$ 248	135.10mm	120.18mm	104.5	2.4kg	707-76-12130	WA450,470-Bush-D
B135-120X112	\$ 228	135.17mm	120.38mm	112.0	2.6kg	208-70-61521 of8	PC400-Bush-F
B135G120X112	\$ 320	135.17mm	120.38mm	112.0	2.6kg	KSet Design 2006 Bf8	Type J Bush
B135G120X120	\$ 356	135.15mm	120.24mm	120.0	2.8kg	707-76-12140	WA480,500-Bush-D,E
B135-120X130	\$ 388	135.15mm	120.36mm	129.7	3.0kg	EC700Bush-J Of8	WA500-6-ABC Bf8
B135G120X130	\$ 390	135.15mm	120.35mm	129.7	3.0kg	Volvo	EC700-Bush-K
B135G120X155	\$ 425	135.15mm	120.36mm	154.8	3.7kg	425-70-31830	WA500-6-Bush-J
B135G120X160	\$ 360	135.20mm	120.37mm	159.8	3.8kg	208-70-51410, 31220	PC400-Bush-A
B135G120G175	\$ 376	135.15mm	120.24mm	175.0	4.2kg	424-70-11860	WA380,420-Bush-F
B140-120-72	\$ 224	140.26mm	120.36mm	71.8mm	2.4kg	4439033	ZX450-Boom/Arm Pin-F
B140-120-90	\$ 258	140.28mm	120.34mm	89.8mm	2.9kg	4216361	ZX450-Boom Base-F
B140G120X110	\$ 352	140.25mm	120.35mm	109.8	3.5kg	3055205 16wExtGroove	ZX450-Bush-A,F
B140G120G120	\$ 298	140.22mm	120.20mm	120.0		236-8561	Cat330DL-Bush-A,F
B140G120X120	\$ 340	140.25mm	120.24mm	119.9	3.8kg	228-5621 12wExtGr Bf8	Cat345B-Bush-F
B140G120X125	\$ 348	140.22mm	120.34mm	124.8		Doosan 16wExtGroove	Greasable Bush
B140G120X130	\$ 348	140.26mm	120.32mm	130.0		Cat365B-390F-Bush-G	198-5529
B150G120X105	\$ 590	150.15mm	120.25mm	105.0	5.1kg	Type J	Bush
B150G120X125	\$ 640	150.15mm	120.25mm	125.0	6.0kg	Type J	Bush
B133-121H57	\$ 120	5.255"	4.750"	2.23"		A2U913-194034 Unhardened	Step133.3x4
B140-125-90	\$ 230	140.17mm	125.32mm	89.6mm	2.2kg	421-70-11272, 11872	WA470-Bush-Fx2
B140-125X95	\$ 230	140.13mm	125.38mm	94.8mm	2.3kg	426-70-11871	WA600-Bush-C
B140-125X130	\$ 418	140.15mm	125.42mm	129.7	3.2kg	425-70-31840	WA500-6-Bush-D,E
B140G125X130	\$ 418	140.15mm	125.42mm	129.7	3.2kg	Alt. to above	External grease groove
B140-125X196	\$ 540	140.15mm	125.45mm	196.5	4.8kg	426-70-11710	Bf8 WA600-3-Bush-J
B145F125X93	\$ 280	145.20mm	125.5 mm	92.6mm		426-70-11482 F160x35 Bf8	WA600-1-Bush-J
B145G125G130	\$ 340	145.15mm	125.37mm	130.0	4.2kg	KSet Precision Bush 2019	Lineborer
B150G125G130	\$ 404	150.15mm	125.37mm	130.0	5.5kg	KSet Precision Bush 2019	Lineborer
B150-125N150	\$ 450	150.10mm	125.22mm	150.0		Eimco A2U220-194399 2x30 Pitch	
B154-125N150	\$ 520	154.07mm	125.25mm	150.0	7.2kg	Eimco A2U220-194480 2x30 Pitch	



Dimensions shown are for the KSet Precision Bush, not for similar OEM bush.



# Case Hardened Bushes - Precision Ground

## Bushes to Suit 5 inch to 140Ø Shaft

<u>KSet Part No.</u>	<u>Price</u> EX GST	<u>Outside</u>	<u>Inside</u>	<u>Length</u>		<u>Manufacture Notes</u>	<u>Locations</u>
B139G127-127	\$290	5.510"	5.011"	4.98"		Joy	External Groove
B139-127G152	\$200	5.505"	5.010"	6.00"	4.2kg	Caterpillar	Internal Groove
B146-127-89	\$130	5.75"	5.00"	3.50"		7K9063 Aftermarket	CAT
B146G127G105	\$290	5.755"	5.013"	4.13"		1V9143	CAT980C,F,G-Bush-F
B146-127G107	\$140	5.754"	5.009"	4.22"	3.4kg	7K9533 Aftermarket	CAT
B146G127G132	\$348	5.755"	5.014"	5.19"	4.1kg	1V5635 1300Bogger	CAT983,992C-Bush-J
B146G127-140	\$170	5.756"	5.014"	5.51"	4.4kg	4V8519 4 holes	CAT966-Bush-F
B150G127G132	\$340	150.15	5.012"	5.19"	5.1kg	KSet 2019	Lineborers Bush
B152-127-112	\$220	6.002"	5.011"	4.39"	4.4kg	Forestry Equipment	Plain Bush
B152G127G132	\$380	6.007"	5.013"	5.20"	6.0kg	186-9776	2900 Bottom H Frame
B145G130X130	\$460	145.10	130.25mm	129.8	3.2kg	EX3500	Greasable Bf8 15w Ext
B150-130-90	\$310	150.17	130.27mm	90.0	3.2kg	KSet 2013	Plain Bush
B150G130X145	\$534	150.15	130.22mm	145.0	4.9kg	Volvo EC700-Bush-H	+/- EX800-5-Bush-HL
B154G130X140	\$550	154.27	130.32mm	140.0	4.7kg	Cat350B-390F-Bush-K	JC Family 6I5168
B154G130X160	\$550	154.27	130.32mm	160.0	5.4kg	Cat365B-390F-Bush-HR	6E0813
B154G130X165	\$550	154.27	130.32mm	160.0	4.7kg	Cat365B-390F-Bush-HL	HB2 Family 7Y9915
B155G130X110	\$520	155.28	130.38mm	110.0	4.7kg	EX1800, EX1900-H,L	4098101
B155G130X145	\$520	155.15	130.24mm	145.0	6.2kg	Volvo EC700B-	Bush
B160-130-75	\$350	160.18	130.28mm	75.0	4.0kg	KSet Design 2013	Plain Bush
B160-130-100	\$478	160.18	130.28mm	100.0	5.3kg	Kawasaki Loader	Kld85Z-Bush-F
B160G130X120	\$590	160.18	130.28mm	120.0	6.3kg	KSet 2021	Greasable Bush Bf8
B160G130X180	\$790	160.18	130.28mm	180.0	9.4kg	KSet 2010	Groove Offset 40mm Bf8
B165F130X149	\$870	165.20	130.42mm	149.0	9.7kg	Flange F204.8 N8	209-944-5230 PC800-6-Bush-J
B150-135-90	\$120	150.47	134.56mm	90.0	3.2kg	Plain Bush	Not ground
B152-139-108	\$200	6.0085"	5.522"	4.25"		Cat D11 Bush	1294487
B155-140-78	\$355	155.16	140.22mm	78.0	2.2kg	Plain Bush	56037306
B155-140X78	\$426	155.16	140.22mm	78.0	2.1kg	Enhanced Performance	56037306
B155G140G78	\$320	155.14	140.22mm	78.0	2.1kg	Groove offset 6 mm	56043823
B155-140-88	\$340	155.14	140.22mm	88.0	2.4kg	Plain Bush	56043820
B155-140X88	\$492	155.14	140.22mm	88.0	2.4kg	Enhanced Performance	56043820
B155-140G135	\$290	155.20	140.47mm	135.0	3.6kg	426-70-11890	WA600-Bush-A,B,D,E
B155G140G135	\$360	155.20	140.47mm	135.0	3.6kg	426-70-11820	WA600-Bush-L
B155G140X135	\$420	155.19	140.34mm	135.0	3.5kg	KSet 2009	Type J Greasable
B155G140N148	\$430	155.13	140.48mm	148.4	3.9kg	426-70-31770	WA600-6-Bush-A,B,C
B155G140X196	\$510	155.15	140.45mm	196.5		426-70-11720	WA600-3-Bush-K 2Bf8
B155G140N213	\$594	155.15	140.35mm	213.0	5.2kg	426-70-31720	WA600-6-Bush-L,K,J
B155G140N215	\$594	155.15	140.35mm	215.0	5.2kg	425-70-11861	WA500-Bush-F
B160G140X100	\$348	160.19	140.40mm	100.0	3.6kg	Suit Hitachi	Type J
B160G140X163	\$580	160.20	140.50mm	163.8	5.8kg	21N-70-12170	PC1250-Bush-K
B160F140X190	\$720	160.34	140.50mm	190.0	8.2kg	Flange 230x8	21N-70-32150 PC1250-7-Bush-J
B164-140-90	\$350	164.23	140.35mm	90.0	4.1kg	152-3739	Loader Cat988-Bush-G,H
B164G140X140	\$500	164.29	140.38mm	140.0	6.1kg	Cat365B-390F-Bush-F	234-3748



Dimensions shown are for the KSet Precision Bush, not for similar OEM bush.

# Case Hardened Bushes - Precision Ground

## Bushes to Suit 140 Ø, 150 Ø & 160mm Ø Shaft

KSet Part No.	Price EX GST	Outside	Inside	Length		Manufacture Notes	Locations
B160G140X100	\$ 348	160.19	140.40mm	100.0	3.6kg	Suit Hitachi	Type J
B160G140X163	\$ 580	160.20	140.50mm	163.8	5.8kg	21N-70-12170	PC1250-Bush-K
B160F140X190	\$ 720	160.34	140.50mm	190.0	8.2kg	Flange 230x8 21N-70-32150	PC1250-7-Bush-J
B164-140-90	\$ 350	164.23	140.35mm	90.0	4.1kg	152-3739	Loader Cat988-Bush-G,H
B164G140X140	\$ 500	164.29	140.38mm	140.0	6.1kg	Cat365B-390F-Bush-F	234-3748
B165G140X120	\$ 610	165.07	140.29mm	120.0	5.4kg	Bush, Greasable For Sandvik	56025110
B165G140X121	\$ 710	165.07	140.29mm	120.0	5.4kg	Enhanced Performance	56025110
B165G140X180g	\$ 920	165.06	140.26mm	180.0	8.5kg	Bush, Greasable	BG00656662
B165G140X182	\$ 920	165.17	140.41mm	182.0	8.6kg	Enhanced Performance	BG00656662
B175F140X193	POA	175.20	140.52mm	193.0	13kg	Flange Bush 21N-70-32550	PC1250-8-Bush-J
B167-148-40	\$ 510	167.07mm	148.05mm	89.11	1.5kg	Hitachi Aftermarket	Truck
B165G150X120	\$ 495	165.15mm	150.30mm	119.9	3.4kg	Hitachi Aftermarket	Greaseable Bush
B165G150X180	\$ 786	165.15mm	150.30mm	179.9	5.1kg	EX1200 Aftermarket	Greaseable Bush
B170G150G160	\$ 510	170.21mm	150.23mm	159.8	6.2kg	248-2507	Also suits R3000H Bearing 992K
B180-150X95	\$ 498	180.33mm	150.42mm	95.0	5.6kg	4454646 7w Centre + Fig 8	EX1900-Bush-J
B180G150X150	\$ 790	180.30mm	150.38mm	150.0	8.8kg	244-4258	Cat 385 Boom, Barrel Eye
B180G150X184	\$ 900	180.30mm	150.38mm	184.0	10.9kg	244-4150	Cat 385B,390F Bush-A
B171-152-59	\$ 384	6.7545"	6.009"	2.32"	2.4kg	0501-10096	Plain Bush Jug-A-0
B178G152G50	\$ 290	7.006"	6.006"	2.00"		Type I	Greaseable
B175G160X180	\$ 596	175.15mm	160.30mm	179.9	5.4kg	EX1200 Aftermarket	Greaseable Bush
B180-160-95	\$ 425	180.15mm	160.42mm	94.6	4.0kg	425-70-31820 Aftermarket	WA500-6-Bush-F
B180-160-98	\$ 510	180.13mm	160.20mm	98.0	4.1kg	56032101 for Sandvik	Bushing LH621
B180-160X98	\$ 535	180.13mm	160.20mm	98.0	4.1kg	56032101	Cross hatch groove LH621
B180G160G98	\$ 499	180.13mm	160.20mm	98.0	4.1kg	56044540 for Sandvik	Bushing LH621
B180-160G140	\$ 620	180.29mm	160.42mm	140.2	5.9kg	426-70-11860	WA600-Bush-F
B180G160X146	\$ 720	180.13mm	160.55mm	145.6	5.8kg	707-76-16030 21N-70-11181	PC1250-Bush-F
B180G160X159	\$ 740	180.13mm	160.55mm	159.4	7.9kg	21N-70-31160	PC1250-Bush-A
B180F160-177	\$ 600	180.34mm	160.50mm	176.9	7.4kg	21N-70-31181	PC1250-Bush-F-Boom
B180-160G188	\$ 590	180.13mm	160.42mm	188.3	9.9kg	426-70-31791	WA600-6-Bush-A
B185G160X120	\$ 745	185.15mm	160.41mm	150.0	6.2kg	High Performance	Cross Hatch WA
B185G160X149	\$ 590	185.15mm	160.41mm	150.0	7.8kg	Similar to	4392649 4660859
B185G160X150	\$ 780	185.25mm	160.40mm	150.0	7.8kg	EX2500 Bkt	4392649 4660859
B185G160X218	\$ 1280	185.25mm	160.40mm	218.0	11.5kg	High Performance	Cross Hatch LH621
B190G170X170	\$ 840	190.40mm	170.42mm	169.9		0726001 EX5500-6 Dump Cyl	4609103
B190G170X175	\$ 740	190.25mm	170.35mm	169.9		Type J Closed fig 8 Grooves	WA Bushes
B200G170X140	\$ 840	200.40mm	170.42mm	139.9		EX1200-Bush-F 40mm Offset Groove	4259297
B195-175-95	\$ 820	195.15mm	175.35mm	95.0	4.3kg	Concrete	Recyclers
B203-178G187	\$ 350	8.002"	7.006"	7.36"		Type U	Internal Groove
B200G180X185	\$ 1140	200. mm	180. mm	185.0	8.5kg	Custom Eng	Type J Bush



Dimensions shown are for the KSet Precision Bush, not for similar OEM bush.

# Dust Seals, Metal Cased Polyurethane - Pin Wipers

Part Number	Price Ex GST	Outside	Inside	Width		Manufacturer's Notes
SL40-30-04	\$ 13	40 mm	30 mm	4 mm	.02 kg	VAY Seals Kubota Seal
SL45-35-04	\$ 14	45 mm	35 mm	4 mm	.02 kg	VAY Seals Kubota Seal
SL48-38-04	\$ 16	48 mm	38 mm	4 mm	.02 kg	Yanmar Yanmar Seal
SL50-40-04	\$ 14	50 mm	40 mm	4 mm	.02 kg	VAY Oil Seals Kubota Seals
SL55-40-04	\$ 14	55 mm	40 mm	4 mm	.02 kg	Metric KSet Perth Pin Wiper Dust Seal
SL55-45-04	\$ 15	55 mm	45 mm	4 mm	.02 kg	VAY Komatsu 07145-00045
SL60-45-07 <sub>5</sub>	\$ 24	60 mm	45 mm	7.5 mm	.02 kg	Yanmar Pin Wiper Kubota Dust Seal
SL60-50-04	\$ 16	60 mm	50 mm	4 mm	.02 kg	VAY Komatsu 07145-00050
SL65-50-04	\$ 17	65 mm	50 mm	4 mm	.02 kg	VAY Kobelco 2445R138D1
SL65-50-05	\$ 20	65 mm	50 mm	5 mm	.02 kg	For Kobelco 2445R220D5
SL65-50-06	\$ 18	65 mm	50 mm	6 mm	.03 kg	PC75-Seal-J 130-09-12931
SL65-50-07	\$ 19	65 mm	50 mm	6 mm	.03 kg	Metric KSet Seal
SL65-55-04	\$ 16	65 mm	55 mm	4 mm	.02 kg	VAY KSet Pin Wiper Dust Seal
SL68-55-04	\$ 22	68 mm	55 mm	4 mm	.02 kg	For Komatsu 416-09-11130
SL70-55-04	\$ 19	70 mm	55 mm	4 mm	.02 kg	VAY Bucket Bush Seal KSet Pin Wiper
SL70-60-04	\$ 22	70 mm	60 mm	4 mm	.02 kg	NOK KSet Seal Plant Machiney Dust Seal
SL75-60-04	\$ 17	75 mm	60 mm	4 mm	.03 kg	CAT093-1433 2445R138D3 07145-00060
SL75-60-05	\$ 18	75 mm	60 mm	5 mm	.03 kg	DLI Kobelco 2445R220D1
SL75-60-08	\$ 17	75 mm	60 mm	8 mm	.04 kg	For Komatsu 203-70-33210
SL75-65-04	\$ 18	75 mm	65 mm	6 mm	.03 kg	P621 Was SL75-65-06 Urethane Seals
SL80-65-04	\$ 20	80 mm	65 mm	4 mm	.03 kg	VAY Komatsu 07145-00065
SL80-65-05	\$ 17	80 mm	65 mm	5 mm	.03 kg	For 38D6 07145-00070
SL80-65-08	\$ 20	80 mm	65 mm	8 mm	.03 kg	For Caterpillar Suits bush 229-1091
SL80-70-04	\$ 17	80 mm	70 mm	4 mm	.02 kg	NOK Metric Pin Wiper Dust Seal
SL85-70-04	\$ 20	85 mm	70 mm	4 mm	.02 kg	07145-00070 093-1434 161295A1
SL85-70-05	\$ 16	85 mm	70 mm	5 mm	.02 kg	Hitachi4084578 CAT2357679 2445R220D3
SL85-70-08	\$ 18	85 mm	70 mm	8 mm	.05 kg	Komatsu 21K-70-12180 Dust Seals Paget
SL90-70-05	\$ 18	90 mm	70 mm	5 mm	.08 kg	DLI Metric Pin Wiper Dust Seal
SL86-71-05	\$ 24	86 mm	71 mm	5 mm	.08 kg	Metric Suit Hitachi Equipment Seals
SL85-75-05	\$ 25	85 mm	75 mm	5 mm	.03 kg	KSet QLD Pin Wiper Dust Seal
SL90-75-08	\$ 24	90 mm	75 mm	8 mm	.08 kg	Komatsu 419-09-11110 Excavator Seals
SL90-80-04 <sub>5</sub>	\$ 20	90 mm	80 mm	4.5 mm	.04 kg	Metric Pin Wiper Dust Seal
SL95-80-04	\$ 20	95 mm	80 mm	4 mm	.04 kg	CAT 0960854, 2445R138D7, 07145-00080
SL95-80-05	\$ 20	95 mm	80 mm	5 mm	.04 kg	Hitachi 4067902 Kobelco 2445R220D4
SL95-80-06	\$ 26	95 mm	80 mm	6 mm	.05 kg	Perth Pin Wiper Dust Seals KSet WA
SL95-80-08	\$ 23	95 mm	80 mm	8 mm	.06 kg	Komatsu 205-70-62140 Dust Seals Pilbara
SL95-80-10	\$ 26	95 mm	80 mm	10 mm	.07 kg	PC220 Wiper Seal Komatsu 205-70-62150
SL95-80-11	\$ 19	95 mm	80 mm	11 mm	.07 kg	Bucket Bush Seal Use for 205-70-62150
SL100-80-06	\$ 26	100 mm	80 mm	6 mm	.08 kg	DLI Metric KSet Seal Dust Seals Australia
SL100-80-10	\$ 35	100 mm	80 mm	10 mm	.08 kg	Excavator Bucket Bush Dust Seal KSet Seal
SL110-80-10	\$ 35	110 mm	80 mm	10 mm	.10 kg	KSet Bucket Seal Pin Wiper Dust Seal



Wholesale Prices  
shown for \$170  
Minimum order

Retail: POA  
\$130 Min order

Plus freight & GST. All prices  
subject to change without notice

# Dust Seals, Metal Cased Polyurethane - Pin Wipers

Part Number	Price Ex GST	Outside	Inside	Width	Manufacturer's Notes
SL95-85-05	\$ 22	95 mm	85 mm	05 mm	.04 kg Metric Pin Wipers Australia KSet Seal
SL100-85-08	\$ 26	100 mm	85 mm	8 mm	.06 kg DLI Komatsu WA420 424-09-12320
SL100-90-05	\$ 20	100 mm	90 mm	5 mm	KSet Dust Seal Metric
SL105-90-04	\$ 24	105 mm	90 mm	4 mm	.04 kg 2445R138D8 07145-00090
SL105-90-05	\$ 26	105 mm	90 mm	5 mm	.03 kg 2438U1381524 KHV0103 Sumitomo
SL105-90-06	\$ 24	105 mm	90 mm	6 mm	.04 kg 2445R220D6 LE00951,4067901 Hitachi
SL105-90-08	\$ 26	105 mm	90 mm	8 mm	.06 kg 205-70-62180, 207-70-72120 7X4803=166-1495
SL105-90-11	\$ 28	105 mm	90 mm	11 mm	.04 kg Sub 207-70-12270 PC300-7 Dust Seal
SL106-90-08	\$ 28	106 mm	90 mm	8 mm	.06 kg 7X4803 Caterpillar 166-1495
SL110-90-07	\$ 26	110 mm	90 mm	7 mm	.07 kg Metric Pin Wipers Perth KSet Seal
SL110-90-08	\$ 27	110 mm	90 mm	8 mm	.07 kg Metric KSet Seal
SL120-90-08	\$ 84	120 mm	90 mm	8 mm	.07 kg Metric KSet Custom Seal
SL110-95-04	\$ 20	110 mm	95 mm	4 mm	.06 kg Sub for KHV0104 Sumitomo
SL110-95-06	\$ 28	110 mm	95 mm	5 mm	.06 kg Sub for KHV0104 Sumitomo
SL110-95-08	\$ 24	110 mm	95 mm	8 mm	.06 kg Komatsu Aftermarket 421-09-11310
SL115-100-04	\$ 26	115 mm	100 mm	4 mm	.04 kg VAY Komatsu Aftermarket 07145-00100
SL115-100-07	\$ 26	115 mm	100 mm	7 mm	.07 kg DLI Hitachi ZX450 Aftermarket 4074008
SL115-100-08	\$ 26	115 mm	100 mm	8 mm	.07 kg Komatsu Aftermarket 208-70-12231
SL115-100-09	\$ 24	115 mm	100 mm	9 mm	.09 kg Komatsu Seals Aftermarket 205-70-62160
SL116-100-08	\$ 32	116 mm	100 mm	8 mm	.07 kg Caterpillar Aftermarket 9X4597 166-1496
SL120-100-08	\$ 35	120mm	100 mm	8 mm	.10 kg DLI Metric Bucket Pin Dust Seal
SL125-100-08	\$ 40	125mm	100 mm	8 mm	.10 kg DLI Metric Pin Wiper Dust Seal
SL130-100-08	\$ 44	130mm	100 mm	8 mm	.10 kg Bucket Pin Wiper KSet Custom Seal
SL120-105-08	\$ 28	120mm	105 mm	8 mm	.10 kg Metric KSet Qld Pin Dust Seal
SL120-110-07	\$ 44	120mm	110 mm	7 mm	.10 kg Pin Wiper KSet Custom Seal
SL125-110-04	\$ 26	125 mm	110 mm	4 mm	.05 kg VAY Komatsu Aftermarket 07145-00110
SL125-110-08	\$ 30	125 mm	110 mm	4 mm	.05 kg 4337 631 Hitachi 421-09-11320 Komatsu
SL130-110-08	\$ 30	130 mm	110 mm	8 mm	.08 kg Pin Wiper Concrete Crusher Dust Seals Darwin
SL130-110-10	\$ 30	130 mm	110 mm	10mm	.10 kg DLI 4083972 Hitachi ZX450 4251212
SL135-110-08	\$ 44	135 mm	110 mm	8 mm	.10 kg Lip Seal VOE14560213 EC700
SL135-115-08	\$ 36	135 mm	115 mm	8 mm	.10 kg PC800-Pin-K Olympic Dam KSet
SL130-120-07	\$ 48	130 mm	120 mm	7 mm	.06 kg Dust Seal for VOE11005019
SL135-120-04	\$ 30	135 mm	120 mm	4 mm	.06 kg VAY Komatsu PC400 Aftermarket 07145-00120
SL135-120-08	\$ 32	135 mm	120 mm	8 mm	.09 kg Komatsu WA470 Aftermarket 421-09-11350
SL140-120-08	\$ 35	140 mm	120 mm	8 mm	.09 kg Dust Lip Seal VOE14560214 EC700
SL140-125-08	\$ 40	140 mm	125 mm	8 mm	.09 kg Komatsu WA470 Aftermarket 421-09-11330
SL140-130-07	\$ 44	140 mm	130 mm	7 mm	.09 kg
SL145-130-7.5	\$ 44	145 mm	130 mm	7.5 mm	.09 kg Hitachi 4205000 KSet Perth Pin Dust Seal
SL150-130-10	\$ 44	150 mm	130 mm	10 mm	.09 kg Hitachi Pin Wiper KSet Aftermarket Volvo
SL154-130-08	\$ 46	154 mm	130 mm	8 mm	.09 kg Suit Caterpillar 9X4600
SL155-130-08	\$ 36	155 mm	130 mm	8 mm	.09 kg Double Lip Seal VOE14560217 Volvo EC700
SL155-140-08	\$ 39	155 mm	140 mm	8 mm	.10 kg Komatsu Aftermarket 425-09-11110
SL160-140-10	\$ 60	160 mm	140 mm	10 mm	.10 kg KSet Olympic Dam Overnight Delivery Dust Seal
SL160-145-06	\$ 60	160 mm	145 mm	6 mm	.10 kg Oil Seal Komatsu WA480 425-09-11210
SL160-145-08	\$ 34	160 mm	145 mm	8 mm	.10 kg Komatsu WA500 Dust Seal 425-09-11180
SL180-160-08	\$ 48	180 mm	160 mm	8 mm	.10 kg WA500-6-F Aftermarket 426-09-11110
SL200-180-08	\$ 70	200 mm	180 mm	8 mm	.10 kg WA600-6-F uses 4 Aftermarket 427-09-11120



Wholesale Prices  
shown for \$170  
Minimum order

Retail: POA  
\$130 Min order

Plus freight & GST. All prices  
subject to change without notice

# Dust Seals, Metal Cased Polyurethane - Imperial

Part Number	Price Ex GST	Outside	Inside	Width	Manufacturer's Notes
SL51-38-06	\$ 15	2"	1 1/2"	1/4"	.02 kg <b>For Caterpillar 7K9201</b> <b>7K9201</b>
SL57-44-06	\$ 13	2 1/4"	1 3/4"	1/4"	.02 kg <b>For Caterpillar 7K9202</b> <b>7K9202</b>
SL64-51-06	\$ 14	2 1/2"	2"	1/4"	.02 kg <b>KSet Mud Seal 7K9203</b> <b>Imperial</b>
SL67-51-06	\$ 20	2 5/8"	2"	1/4"	.02 kg <b>KSet Seal</b> <b>Imperial</b>
SL70-57-06	\$ 18	2 3/4"	2 1/4"	1/4"	.02 kg <b>7K9204 7K9204</b> <b>CAT910G-Seal-J</b>
SL76-64-05	\$ 20	3"	2 1/2"	3/16"	.03 kg <b>Caterpillar 7K9206</b> <b>Seal 7K9206</b>
SL76-64-08	\$ 17	3"	2 1/2"	5/16"	.05 kg <b>CAT950H-Seal-J 7K9205</b> <b>Loader 7K9205</b>
SL82-64-08	\$ 25	3 1/4"	2 1/2"	5/16"	.05 kg <b>For Caterpillar</b> <b>2.5" x 3.25" x 5/26"</b>
SL90.9-64-08	\$ 30	3 9/16"	2 1/2"	5/16"	.05 kg <b>CAT980</b> <b>Aftermarket 3G3321</b>
SL79-67-06	\$ 18	3 1/8"	2 5/8"	1/4"	.04 kg <b>Cat Wheel Loader 7K9207</b> <b>7K9207</b>
SL82-70-08	\$ 18	3 1/4"	2 3/4"	5/16"	.04 kg <b>Cat Wheel Loader 7K9208</b> <b>7K9208</b>
SL82-70-10	\$ 18	3 1/4"	2 3/4"	3/8"	.04 kg <b>Imperial</b> <b>Dust Seal</b>
SL95-70-12	\$ 34	3 3/4"	2 3/4"	1/2"	.04 kg <b>Imperial</b> <b>KSet Seal</b>
SL89-76-05	\$ 16	3 1/2"	3"	3/16"	.08 kg <b>Imperial</b> <b>Pin Wiper</b>
SL89-76-08	\$ 24	3 1/2"	3"	5/16"	.08 kg <b>CAT950H-Seal-C 7K9209</b> <b>Loader 7K9209</b>
SL95-76-08	\$ 22	3 3/4"	3"	5/16"	.08 kg <b>Caterpillar D10</b> <b>Aftermarket 3E6756</b>
SL98-76-13	\$ 22	3 7/8"	3"	1/2"	.12 kg <b>CAT621 Scraper</b> <b>Aftermarket 7K7463</b>
SL95-79-04	\$ 16	3 3/4"	3 1/8"	1/8"	.08 kg <b>CAT320C</b> <b>Aftermarket 0960854</b>
SL95-83-08	\$ 18	3 3/4"	3 1/4"	5/16"	.08 kg <b>CAT950H-Seal-K,L 7K9210</b> <b>7K9210</b>
SL102-89-08	\$ 20	4"	3 1/2"	5/16"	.07 kg <b>Cat D10 Ripper Cylinder 7K9211</b> <b>7K9211</b>
SL104-89-08	\$ 20	4 1/8"	3 1/2"	5/16"	.08 kg <b>CAT950H-Seal-A 7K9212</b> <b>7K9212</b>
SL114-89-08	\$ 25	4 1/2"	3 1/2"	5/16"	.08 kg <b>Caterpillar</b> <b>Dust Seal</b>
SL108-96-08	\$ 30	4 1/4"	3 3/4"	5/16"	.08 kg
SL111-96-08	\$ 18	4 3/8"	3 3/4"	5/16"	.08 kg <b>Caterpillar Dust Seal 7K9214</b> <b>7K9214</b>
SL114-96-08	\$ 24	4 1/2"	3 3/4"	5/16"	.08 kg <b>Caterpillar</b> <b>7K9214</b>
SL114-102-06	\$ 24	4 1/2"	4"	1/4"	.08 kg <b>Caterpillar</b> <b>Dust Seal</b>
SL118-102-05	\$ 26	4 5/8"	4"	3/16"	.06 kg <b>Caterpillar 7K9215</b> <b>7K9215</b>
SL118-102-08	\$ 26	4 5/8"	4"	5/16"	.08 kg <b>Caterpillar 7K9216</b> <b>7K9216</b>
SL121-102-08	\$ 26	4 3/4"	4"	5/16"	.08 kg <b>CAT Wheel Loader 7K9217 Seal</b> <b>7K9217</b>
SL127-102-08	\$ 26	5"	4"	5/16"	.09 kg <b>Caterpillar</b> <b>Aftermarket 3E6758</b>
SL121-108-08	\$ 26	4 3/4"	4 1/4"	5/16"	.09 kg <b>Caterpillar</b> <b>Aftermarket 5P3193</b>
SL127-114-06	\$ 32	5"	4 1/2"	1/4"	.08 kg <b>CAT-Seal</b> <b>Loader</b>
SL133-114-08	\$ 29	5 1/4"	4 1/2"	5/16"	.08 kg <b>CAT950H-Seal-F 7K9218</b> <b>7K9218</b>
SL140-114-08	\$ 34	5"	4 1/2"	5/16"	.08 kg <b>Caterpillar AS D11N Ripper</b> <b>5P2672</b>
SL137-118-08	\$ 28	5 3/8"	4 3/4"	5/16"	.08 kg <b>CAT955 Seal 7K9219</b> <b>Loader 7K9219</b>
SL146-127-08	\$ 28	5 3/4"	5"	5/16"	.08 kg <b>CAT 5P0068 7K9220</b> <b>Aftermarket 7K9220</b>



## Miscellaneous After-Market Parts

R170-24-25	\$ 330	170mm	24mm	25mm	Bucyrus FBL-10 Cover Plate	894733
R170-24-32	\$ 630	170mm	24mm	32mm	Bucyrus FBL-10 Clamp Plate	912644
N171-74T38	\$ 280	6.747"	3" UNF	1.50"	Nut A2U130-196120, A2U130-196152	P89G222PT
N178-88T38	\$ 300	7.006"	M90x2	1.50"	Nut A2U220-193387, A2U220-196134	P102G240TP
R229-127-19	\$ 235	8.998"	4.995"	0.75"	Retainer was R229-114-19	Imco 242 346
R230-130R20	\$ 530	230mm	130mm	20.0mm	Bucyrus FBL-10 Retainer	500162
SP188-102-16	\$ 439	188mm	102mm	17.0mm	Thrust Washer	0505-10027
B41-19-84	\$ 20	1.625"	0.753"	3.32"	John Deere	R56188,R124230
B38-27-87	\$ 20	1.496"	1.076"	3.41"	Case	D90422
B38-27-99	\$ 24	1.496"	1.061"	3.90"	Case	D45904
B38-27-111	\$ 30	1.496"	1.065"	4.37"	Case	D31219
B55-18T44S	\$ 74	54.95mm	M20x1.5	44.0mm	114 809 54	Collet for Pin 26498041, 26498042
B55-18T49S	\$ 74	54.95mm	M20x1.5	49.0mm	114 809 65	Collet for Pin 26438771, 26438772
B55-21T38S	\$ 74	54.95mm	M24x3	38.0mm	114 809 43	Collet for Pin 26498041, 26498042
B55-21T43S	\$ 74	54.95mm	M24x3	43.0mm	114 809 76	Collet for Pin 26438771, 26438772
B63-38-41	\$ 42	2.503"	1.503"	1.61"	Imco	A2U913-194001
B63-38H41	\$ 60	2.503"	1.503"	1.61"	Imco	No H.T. 2:14:19 A2U913-194016
B86F76-80HT	\$ 260	3.375"	3.001"	3.150"	Imco	EA8002
B106T76-11	\$ 130	106.25mm	3.001"	11.2mm	Imco	913-500 003
B114-102-60	\$ 90	4.504"	4.006"	2.37"	Imco	Static Boss A2U913-194355
B116-111-54	\$ 150	115.85	111.16	55mm	Komatsu - ifer	707-52-11110
B133G121H57	\$ 150	5.255"	4.750"	2.23"	Top Artic. D10 Thru C27 16HRC	A2U913-194034

Wholesale Prices  
shown for \$170  
Minimum order

Retail: POA  
\$130 Min order

Plus freight & GST. All prices  
subject to change without notice

# Bronze Bushes - LG2 Bearings - Spherical Bearings

KSet Part No.	Price EX GST	Outside	Inside	Length	Manufacture Notes	Locations
BB48-38-50	\$ 34	1.877"	1.502"	1.97"	7J6862	Type U Plain Bush
BB51-38-50	\$ 125	2.0"	1.5"	1.97"	MIS Tongue Plate	0505-10020
BB60G50G86	\$ 110	60.17	50.11	86.0mm	Lineborer	Machine Bush
BB57G51G101	\$ 130	2.252"	2.004"	4.00"	KSet 2021	Fluid Power Bush
BB64F51N49	\$ 188	2.5025"	2.0035"	1.93"	PB1 Flange 72.6x3.6	Raise Borer 0310-10017
BB76G57G46	\$ 116	3.003"	2.257"	1.81"	KSet 2022	Leaded Gunmetal
BB75G60G65	\$ 120	75.05mm	60.15mm	65.0	KSet 2023	LG2
BB75G64G64	\$ 95	2.945"	2.509"	2.50"	9J1679 PB1	11w Ext Groove 4holes CAT
BB76G64G62	\$ 172	3.003"	2.504"	2.44"	KSet 2022	Dimension
BB76G64G64	\$ 98	3.003"	2.509"	2.50"	9J1676 PB1	CAT623G Scraper
BB76G64G69	\$ 184	3.003"	2.504"	2.70"	0308-10006 PB1	Crowd Cyl Rod End Jug-A-O
BB76G64X76	\$ 164	3.003"	2.507"	3.00"	0.9kg KSet 2020	Greasable Bronze Bush
BB76G64G79	\$ 190	3.003"	2.504"	3.11"	0308-10007 PB1	Crowd Cyl Cyl End Jug-A-O
BB76G64X89	\$ 148	3.003"	2.507"	3.50"	KSet 2020	Greasable Bronze Bush
BB83G64X89	\$ 242	3.251"	2.505"	3.50"	1.1kg Eimco	A2U130-194369 1.69 kg 222 410
BB80G65X70	\$ 220	80.07mm	65.15mm	80.0mm	1.0kg KSet Design 2021	00342913
BB80G70G42	\$ 110	80.07mm	70.15mm	42mm	KSet 2021	Greasable Bronze Bush
BB82G70-67	\$ 95	3.255"	2.759"	2.65"	.85kg 8J9926	11w Ext Groove 4holes CAT633 Stg Bush
BB85G70X80	\$ 200	85.13mm	70.21mm	80.0mm	1.2kg KSet 2021	Greasable Bronze Bush
BB86F70N50	\$ 205					KSet 2021
BB89G76G64	\$ 120	3.003"	2.507"	3.50"	KSet 2021	Greasable Bronze Bush
BB95G76X127	\$ 348	3.754"	3.004"	5.00"	Eimco	222 413
BB98F76X87	\$ 160	3.879"	3.006"	3.44"	Flange 131.4 x 22.2	Magnetic 102-1444
BB95-83X79	\$ 105	3.754"	3.255"	3.11"	7J8458	O/BF8 x2 CAT623G Scraper
BB95G83G80	\$ 85	95.13mm	3.275"	80.3	JCB3CX	2:10:31 808-00216 2:10:31
BB100F85X35	\$ 255	100.07mm	85.10mm	34.96	26433298	Sandvik Flange 125x10
BB100F85X74	\$ 364	100.08mm	85.10mm	74.00	26433318	Sandvik 1.78 kg Flange 125x10
BB100F85G94	\$ 410	100.08mm	85.14mm	94.00	26424018	Sandvik Flange 125x10
BB108G89X76	\$ 284	4.251"	3.506"	3.00"	1.9 Eimco	222 412
BB114G89X64	\$ 230	4.501"	3.505"	2.50"	2.2 Eimco	222 411
BB114G89X148	\$ 520	4.5005"	3.505"	5.81"	Eimco	247 065
BB102G90G101	\$ 550	102.49mm	90.42mm	101.0	1.4kg JOY	Housing 4.035" fitted bush 3.560" 100163420
BB108G95X119	\$ 295	4.257"	3.765"	4.68"	1.71kg MnBronze	621/3/7G Hitch 4J5694
BB115G102G101	\$ 550	4.542"	4.044"	3.98"	Aluminium Bronze AB2	100163419
BB116-102-65	\$ 160	4.596"	4.0025"	2.55"	Magnetic Bronze	198-7343
BB121G102X64	\$ 280	4.752"	4.005"	2.50"	Eimco	6422 6271 = 226 271
BB127-102N41	\$ 238	5.004"	4.008"	1.61"	Rail MIS Pivot PB1	Juganaut 0505-10025
BB127-102N100	\$ 450	5.004"	4.008"	3.94"	MIS Pivot PB1	Juganaut 0505-10007
BB127-102N130	\$ 550	5.004"	4.008"	5.12"	Cntr MIS Plate PB1	Juganaut 0505-10026
BB127G102N146	\$ 642	5.004"	4.008"	5.75"	Boom Pivot PB1	Juganaut 0505-10009
SP188-102-16	\$ 478	7.4"	4.0"	0.62"	Thrust Washer	Juganaut 0505-10027
BB117G105G59	\$ 80	4.612"	105.15mm	58.7mm	JCB3CX	808-00214
BB125F110X100	\$ 436	125.08mm	110.10mm	100.00	2.85kg Bush Flange	150x10 LG2 Sandvik 26436888
BB165G140G104	\$ 420	165.02mm	140.22mm	104.10	5.43kg Bush, Greasable	For Sandvik 02695400
BB170-165G76M	\$ 945	6.700"	6.600"	3.00"	BENEH4002FS	0.9 kg Split Bush

